

# Soul Wall Mixer

## TAPWARE SPECIFICATION



### Product Features

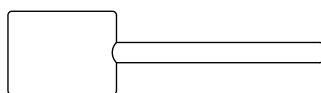
Product Code	Soul - Chrome / 4934.1 Soul Groove - Brushed Brass (PVD) / 4935.6 Soul Groove - Brushed Copper (PVD) / 4935.11 Soul Groove - Brushed Nickel (PVD) / 4935.9 Soul Groove - Matte Black (Electroplated) / 4935.4
Product Type	Wall Mixer
Size	120H x 67D x 60W

### Water Supply Requirements:

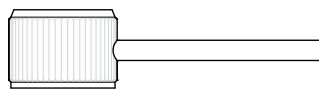
NOT RECOMMENDED FOR GRAVITY FED WATER SYSTEMS OR WATER TANKS.  
Working Pressure: 350 – 500kpa (including cold and hot water pressure)  
Maximum pressure: 73psi / 500kpa  
Temperature rating: 5°C - 65°C (must not exceed 70°C)  
Installation should comply with standard AS/NZS 3500 or relevant local authority requirements

### Notes:

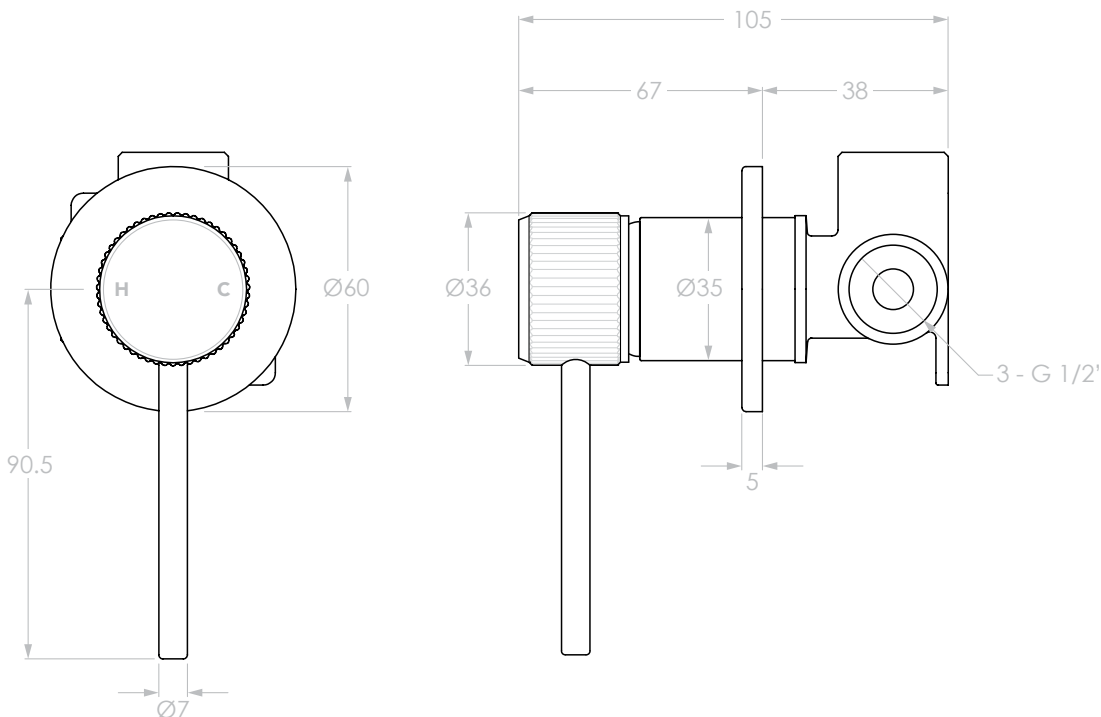
All dimensions are nominal and subject to change.  
Do not drill or rough in until you have received and measured your product.  
All dimensions are in millimetres.  
Do not measure from drawing.



SOUL  
(CHROME ONLY)



SOUL GROOVE



**IMPORTANT NOTE:** Throughout this guide, dimensions may vary by  $\pm 2$ mm. Please read the installation manual for detailed information on installing the product. St. Michel pursues a policy of continuing improvement in design and manufacturing of its products. The right is therefore reserved to vary specifications without notice.

**st.michel**  
BATHROOMWARE

phone (09) 837 4276 email info@stmichel.co.nz stmichel.co.nz