

# Eclipse Round 600mm LED Backlit Mirror

## INSTALLATION INSTRUCTIONS

Please leave this information with the User/Homeowner

### IMPORTANT

- This product must be installed and maintained as per these instructions or it may invalidate the Warranty.
- This LED mirror must be installed in accordance with the New Zealand Electrical Code of Practice.
- This LED mirror requires in wall power outlet that runs to a main switch (mirror does not have a built in on/off switch).
- Power Connection: Install a flush mount single recessed socket behind the mirror so power plug does not obstruct mirror installation. Important: see drawing supplied for socket position.
- Recommended recessed socket Dynamix AV-RPS01 available NZ wide, has cutout dimension 76x52mm (WxH).
- Product Care: Do not use abrasives or solvents when cleaning this mirror. Clean off water as soon as possible using a soft dry cloth. Do Not spray cleaning solutions directly to the glass. Spray cleaning product directly to soft cloth before applying.
- Switch off at main switch when mirror light not in use.
- For indoor use only. Ta 40°C.
- The supply cord is not replaceable. If the supply cord is damaged, the whole luminaire shall be replaced.
- The light source contained in this Luminaire is not replaceable; when the light source reaches its end of life the whole Luminaire shall be replaced.

### FEATURES

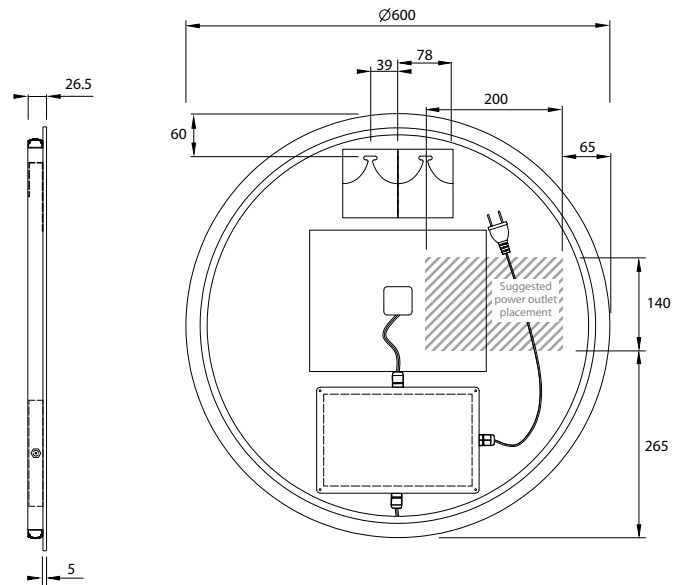
- Lamp: LED 4500K 19W 120SMD/m 1750LM  
Demister: 12W  
Input: 220-240V~ 50/60Hz
- Mirror Light On/OFF (No sensor or physical switch on mirror).
- No sensor or any switch located on mirror, installer must wire the mirror to a switch elsewhere.
- Demister Pad
- The demister function is on only when the mirror is illuminated.
- Mirror is copper/lead free with shatter proof vinyl backing.
- LED mirror is rated IP44 and complies with the following standards:  
AS/NZS 60598.1  
AS/NZS 60598.2.1

### PLEASE READ FULLY BEFORE INSTALLING:

- Do not mount the mirror hard down onto the vanity top.
- Discuss with the homeowner the ideal finished height of the mirror and measure down from there to the mounting bracket holes.
- Physically check bracket positions on mirror supplied before drilling and inserting screws.  
If there are no solid fixings to screw into wall anchors must be used



Dynamix AV-RPS01 Flush Mount Socket.



ST MICHEL INDUSTRIES LIMITED OR OUR DISTRIBUTOR PARTNERS AND SUPPLIERS CANNOT BE HELD RESPONSIBLE FOR DAMAGE CAUSED BY IMPROPER INSTALLATION.

12/2023