



General Installation Instructions, Important Care & Maintenance, Warranty

Thank you for purchasing this St Michel product. Please read all care instructions. By following these instructions, you will maintain your St Michel product for many years to come and protect your warranty

SECTION	PAGE
1. BEFORE YOU START	2-3
2. INSTALLATION INSTRUCTIONS / Standard Vanity	3-4
3. INSTALLATION INSTRUCTIONS / Wall to Wall Vanity	5-8
4. INSTALLATION INSTRUCTIONS / Benchtop Taphole and Basin Hole Drilling	9
5. INSTALLATION INSTRUCTIONS / Basins	10-11
6. INSTALLATION INSTRUCTIONS / Sealing & Adjusting	12
7. INSTALLATION INSTRUCTIONS / Storage Cabinets	13
8. INSTALLATION INSTRUCTIONS / Mirror Cabinets	14-15
9. DOOR INSTALLATION & ALIGNMENT	16
10. DRAWER INSTALLATION & ALIGNMENT	17-18
11. CARE & MAINTENANCE GUIDE	19-20
12. TROUBLE SHOOTING	21
13. WARRANTY	22-23



STOP

STOP. Are you installing this product?

Please READ the installation instructions in this booklet BEFORE INSTALLATION.

Otherwise if the product is not installed in accordance with this instruction, the St Michel warranty may be void and the homeowner may claim against YOU (the installer)

RETURN TO HOMEOWNER - important warranty information inside.

For more info visit stmichel.co.nz

1. BEFORE YOU START

We recommend that a qualified trades person install this product and we would expect the installation to be undertaken in a trades person like manner and finished to a **trades person standard**. This product carries a full warranty against faulty workmanship and materials. Please inspect thoroughly before installation to ensure that the product has not been damaged. It is the responsibility of the installer to **make any adjustments** to doors/drawers after installation if required.



1.1 Positioning & Ventilation

- Furniture must be at least 150mm away from any wet areas (**Fig. A**)
- Do not expose furniture to shower spray
- It is important that your bathroom is adequately ventilated to eliminate moisture build up. High humidity will lead to permanent dampness and mould resulting in deterioration of the materials in your bathroom.

Refer to stmichel.co.nz for more positioning and clearance guides

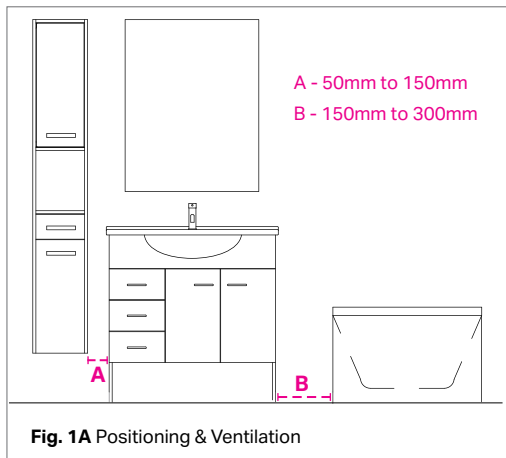


Fig. 1A Positioning & Ventilation

1.2 Check Support Nogs

Wall hung furniture and wall hung ceramic basins require fixing to support nogs fitted between the studs, as detailed (**Fig. 1B**)*, to give a solid wall backing to attach the vanity. If necessary fix additional support nogs at desired height for cabinet and basin fixing. Please ensure total width of support nog exceeds vanity width.

***NOTE:** Extra support nog maybe required for basin and cabinet fixing. For example: Dusk til Dawn differs from cabinet pictured. Refer to **Section 5.4 'Fixing tops & basins'** on page 11.

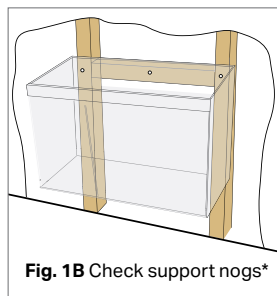


Fig. 1B Check support nogs*

1.3 Check for Plumb Walls and Level Floors

Ensure the Wall is plumb and straight, ensure floor is level (**Fig. 1C & 1D**). If you fix the product to a non-plumb wall or floor the following could happen:

- Your door or drawers will not operate correctly
- Door or drawer adjustments will not align.

- Basins will not sit level, which may cause water to pool or not drain properly

If it is not possible to make the wall or floor plumb and straight you must pack the vanity out so that it does not follow the out of aligned wall.

Floor standing vanities must sit on a level floor or be packed so they sit level and true.

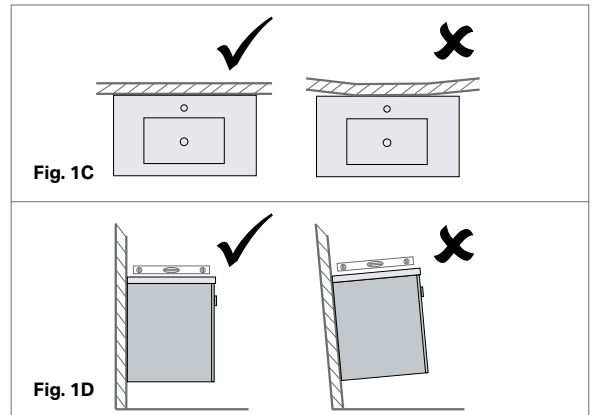


Fig. 1C

Fig. 1D

1.4 Check plumbing positions align with product interior configurations

Please confirm if your St Michel vanity is supplied with a trap and waste if so please refer to the appropriate installation info

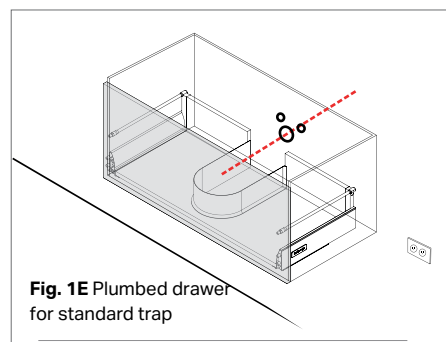


Fig. 1E Plumbed drawer for standard trap

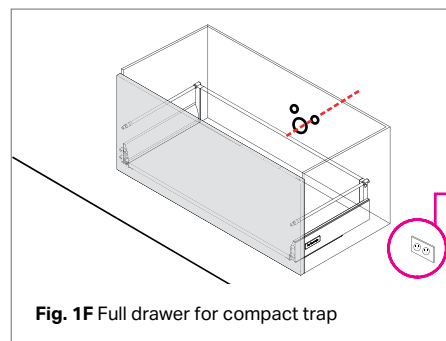


Fig. 1F Full drawer for compact trap

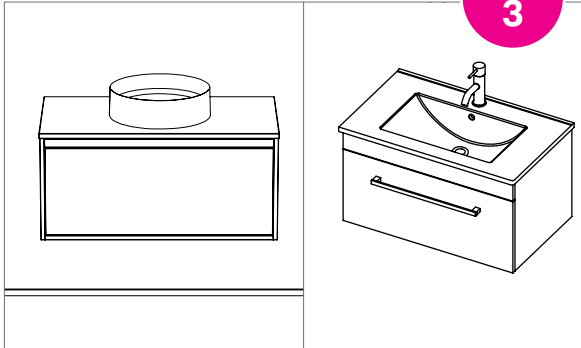
Note: If your product has any electrical fittings please allow for this and talk to your electrician

1. BEFORE YOU START

1.5 Which vanity solution do you have?

Standard vanity

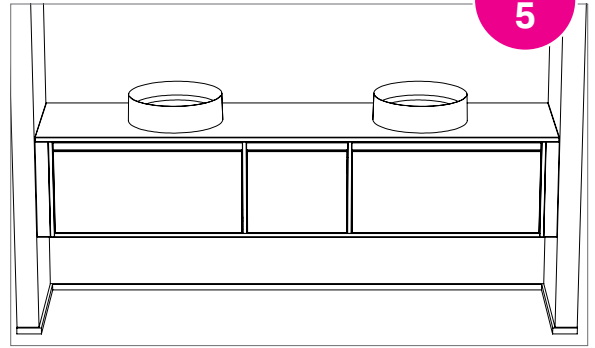
Page
3



For **standard** vanity installation, see **Section 2** 'Installation Instructions / Standard Vanity' on page 3.

Wall to wall vanity

Page
5



For **wall to wall** vanity installation, turn to see **Section 3** 'Installation Instructions / Wall to Wall Vanity', on page 5. Also refer to detailed instructions included with vanity.

2. INSTALLATION INSTRUCTIONS / Standard Vanity

2.1 Measuring up

Mark the position of the top of the vanity - factor in the top/ basin thickness to get the correct height (**Fig. 2A**).

Use a single screw in center of vanity to hold it in place.

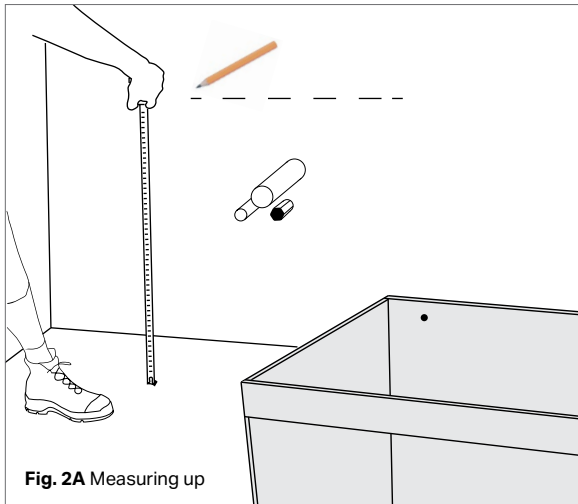


Fig. 2A Measuring up

2.2 Preparing the cabinet

Remove doors & drawers and drill holes for plumbing in the back panel and/or base of the cabinet with an appropriate sized hole saw (**Fig. 2B**). Pre-drill screw locations for fastening to wall in **Step 2.4**

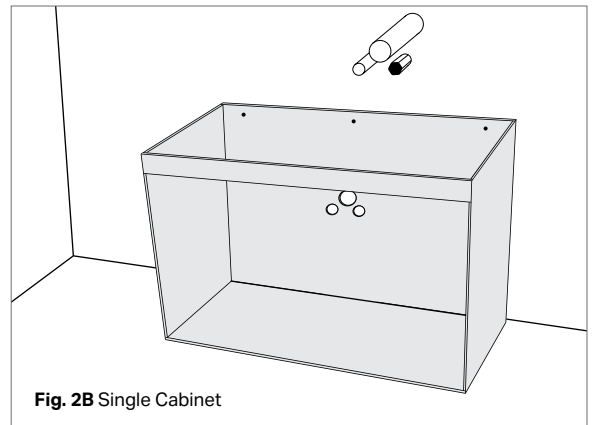


Fig. 2B Single Cabinet

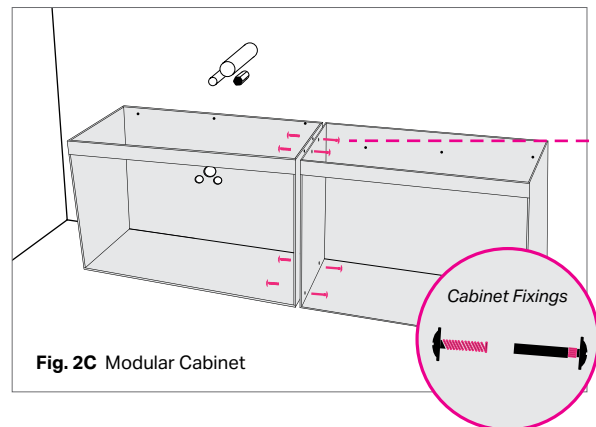


Fig. 2C Modular Cabinet

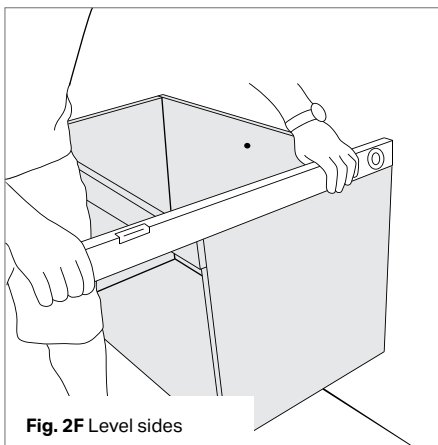
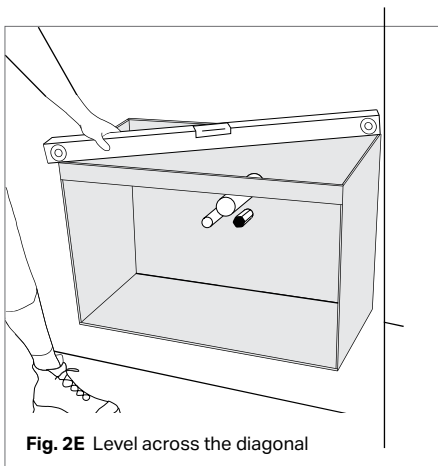
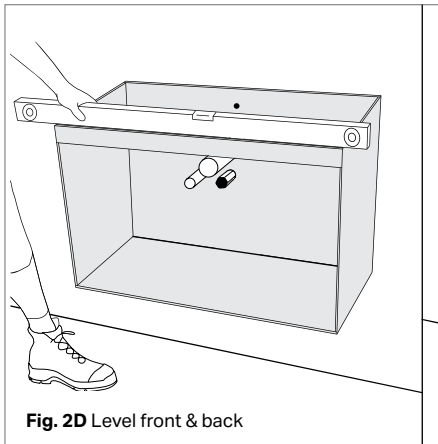
Modular Cabinets (Fig. 2C)

- Some of our larger cabinets are supplied in 2 or 3 piece modules for ease of handling.
- Remove doors & drawers.
- Use cabinet connectors supplied to join cabinets.

2.3 Levelling up

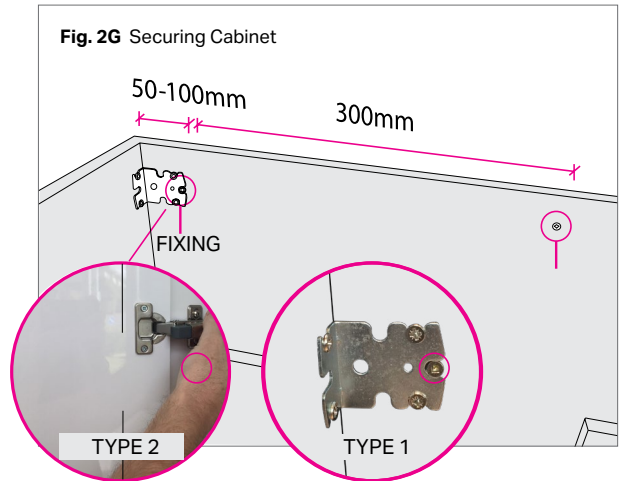
1. Level front & back (Fig. 2D)
2. Level across the diagonal (Fig. 2E)
3. Level sides (Fig. 2F)

NOTE: Floor standing vanities should likewise, be checked for sitting level plumb and square and suitably packed to achieve this. Fix to the wall to secure either through the back rail or back panel.



2.4 Securing the cabinet

Securely fasten cabinet to wall through the back, no further than 100mm from each side of the cabinet. Upper fixings should be no lower than 50mm from the top of the back. Where possible, fasten cabinet through steel bracket in the top corner of the unit. Note: For cabinets over 900 wide you must provide additional fixing points evenly spaced at 300mm.



Continue to Basin & Benchtop Installation

Page
9-11

3. INSTALLATION INSTRUCTIONS / Wall to Wall Vanity

3.1 Before you begin install

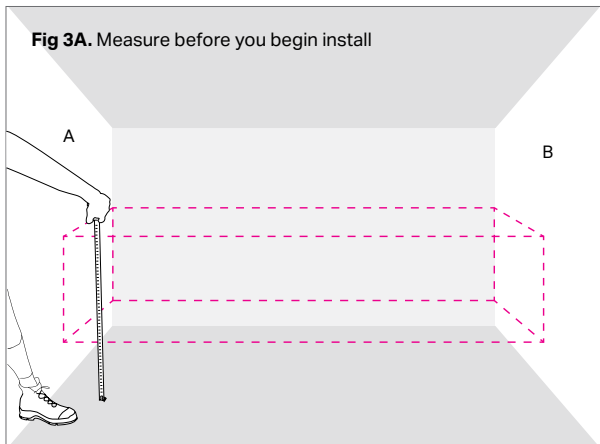
These instructions only apply if you have a Wall to Wall vanity solution with spacer kit.

NOTE: Detailed instructions are supplied with every cabinet

- Measure up your space & ensure the correct solution has been ordered.
- Measure between wall A & B check that the cabinet length, depth & height is correct for the space (**Fig. 3A**).
- For cabinet dimensions refer to your vanities specification sheet - this can be found at stmichel.co.nz.

NOTE: Door & Drawer openings

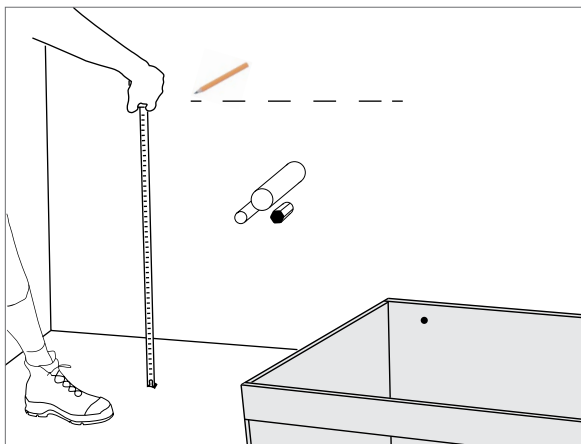
- ensure no collision with heated towel rail, walls etc.



3.2 Measuring up

Mark the position of the top of the vanity
- factor in the top/ basin thickness to get the correct height.

Use a single screw in center of vanity to hold it in place.



3.3 Preparing the cabinet

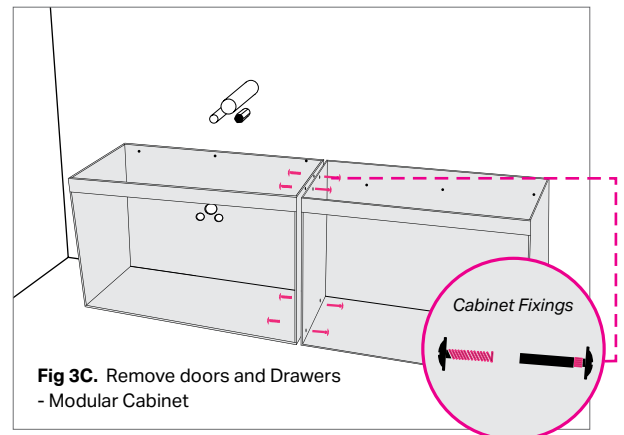
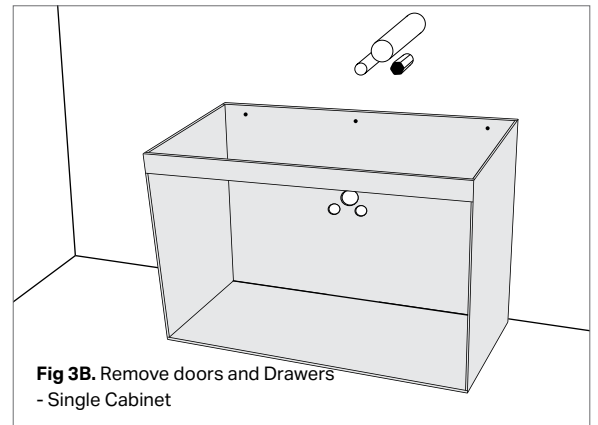
Remove doors & drawers and drill holes for plumbing in the back panel and/or base of the cabinet with an appropriate sized hole saw (**Fig. 3B**). Pre-drill screw locations for fastening to wall in **Step 3.5** on **page 6**.

Modular Cabinets (Fig. 3C)

- Some of our larger cabinets are supplied in 2 or 3 piece modules for ease of handling.
- Remove doors & drawers.
- Use cabinet connectors supplied to join cabinets.

Pre-drill carcass side for spacer fixing 50mm from front of carcass (**Fig. 3D & 3E**).

- Then drill holes vertically (3 holes recommended)
- Hole locations to be determined by installer to avoid cabinet hardware. e.g. hinges, drawer runners etc.



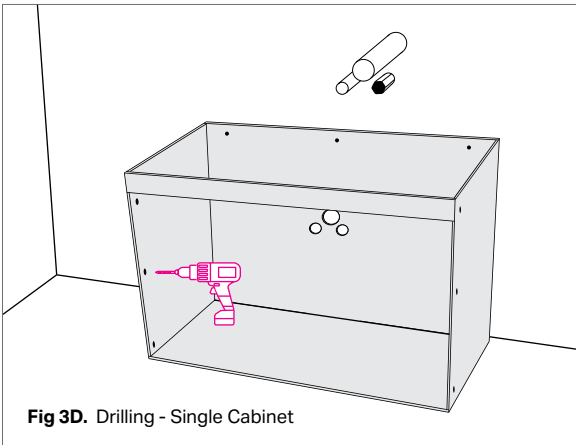


Fig 3D. Drilling - Single Cabinet

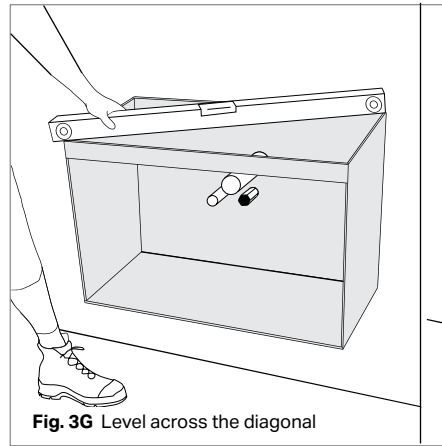


Fig. 3G Level across the diagonal

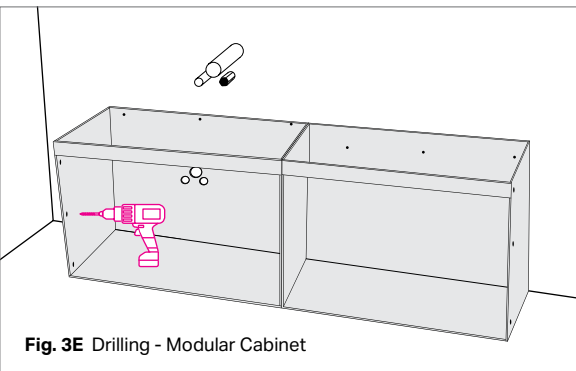


Fig. 3E Drilling - Modular Cabinet

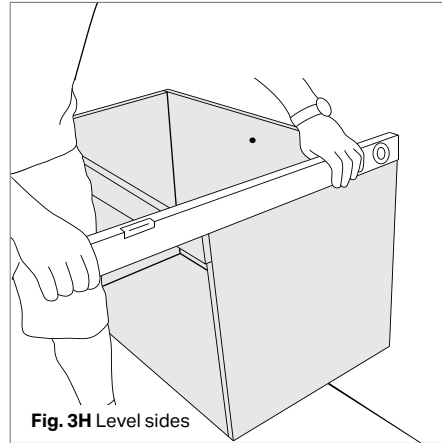


Fig. 3H Level sides

3.4 Levelling up

- Level front & back (Fig. 3F)
- Level across the diagonal (Fig. 3G)
- Level sides (Fig. 3H)

NOTE: Floor standing vanities should likewise, be checked for sitting level plumb and square and suitably packed to achieve this. Fix to the wall to secure either through the back rail or back panel.

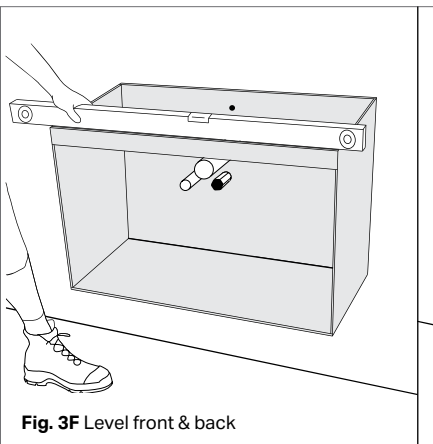


Fig. 3F Level front & back

3.5 Securing the cabinet

Securely fasten cabinet to wall through the back, no further than 100mm from each side of the cabinet. Upper fixings should be no lower than 50mm from the top of the back. Where possible, fasten cabinet through steel bracket in the top corner of the unit. Note: For cabinets over 900 wide you must provide additional fixing points evenly spaced at 300mm.

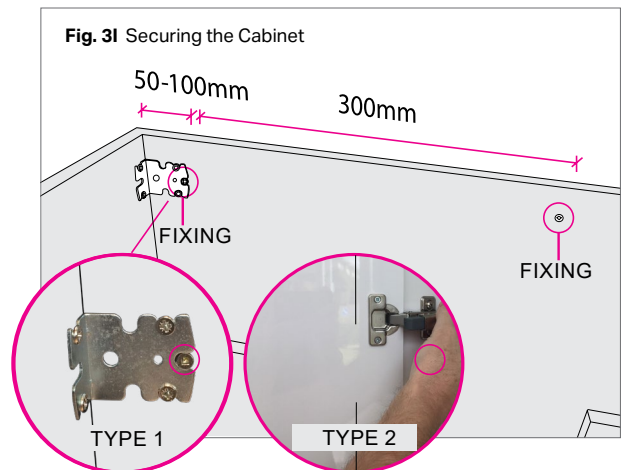
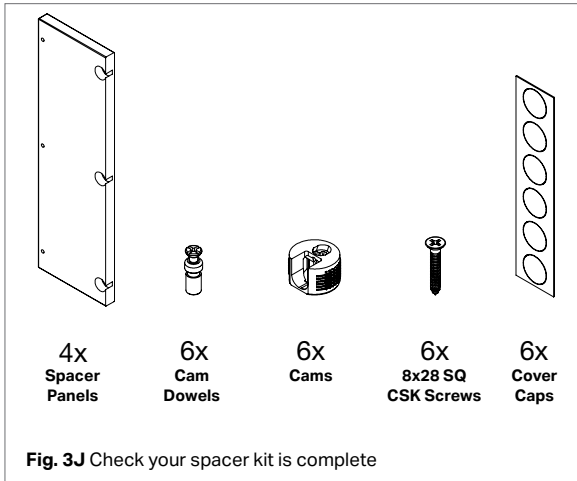
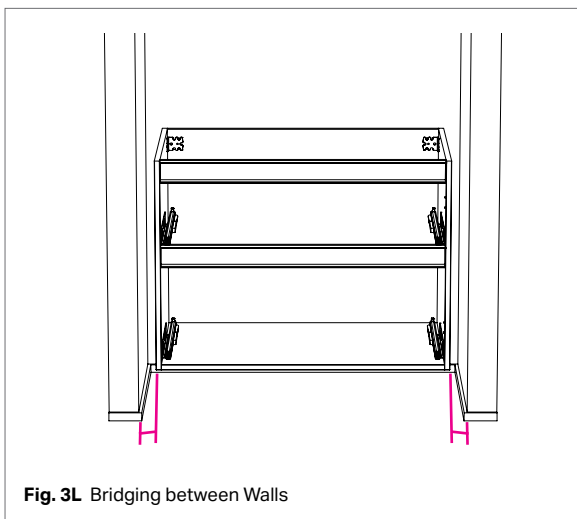
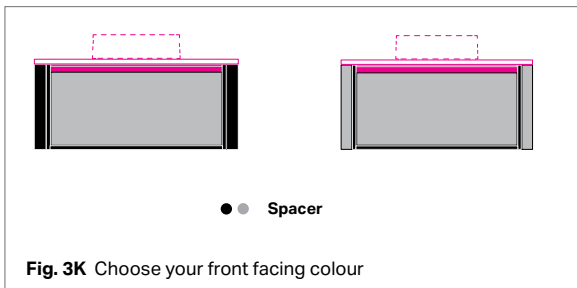


Fig. 3I Securing the Cabinet

3.6 Fitting spacers

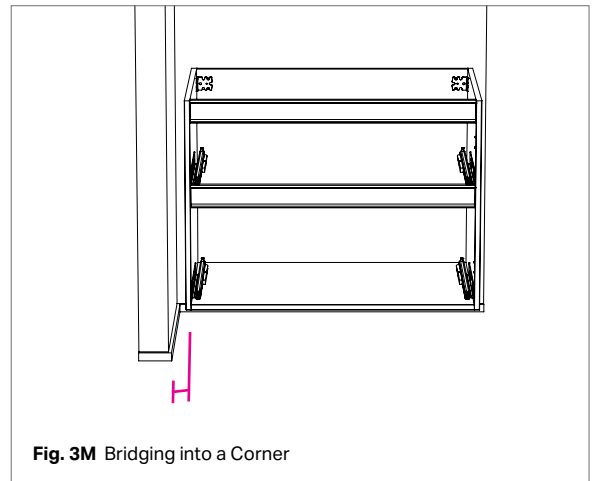


Before you start check your spacer kit is complete. (**Fig. 3H**)
 Choose your front facing spacer colour - to match either cabinet side or front. Only applies when a blend is specified. Check preference with your client before proceeding (**Fig. 3I**).

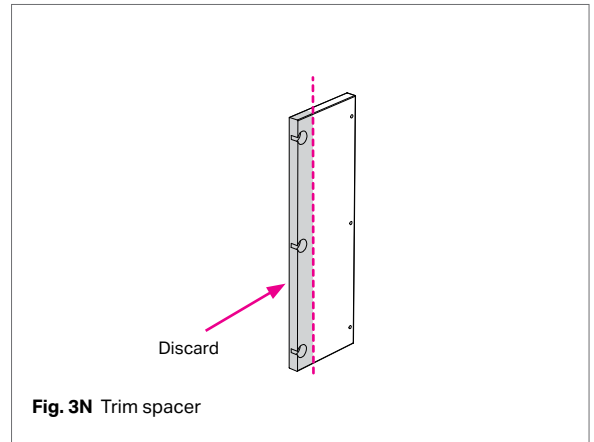


Measure gap to determine spacer width (**Fig. 3L**).

NOTE: Standard spacer allows a maximum of 50mm each side when cabinet is centered. If uneven spacing is required then combined spacing could not exceed 100mm in order to accommodate maximum length of bench top provided.

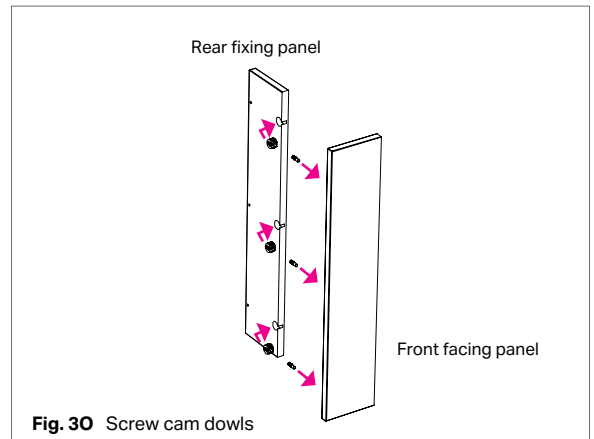


NOTE: Only one spacer set required (**Fig. 3M**). Standard spacer allows a maximum of 100mm from one end when bridging out from one wall.



Trim your front facing spacer to fill gap (**Fig. 3N**).
 Trim from cam side to leave pins for fixing.

NOTE: Adjust trim angle to match any walls out of plumb.



Screw cam dowels into trimmed outward facing panel.

Knock cams into rear fixing panel (**Fig. 3O**).

3.6 Fitting spacers

(continued)

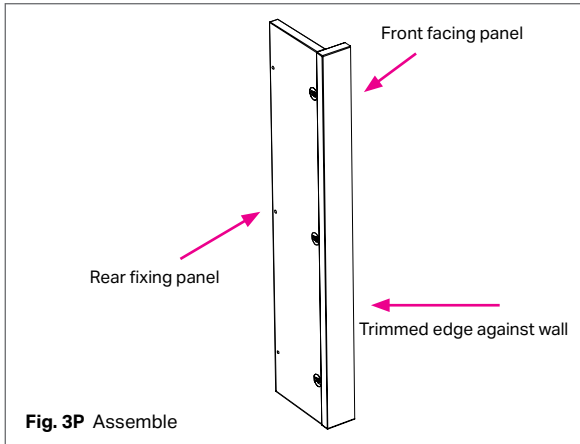


Fig. 3P Assemble

Assemble spacers by locating cam pins into cams. Secure by locking cams into lock position. Front facing panels trimmed edges are positioned against wall. Rear fixing panel is connected to the cabinet side (Fig. 3P).

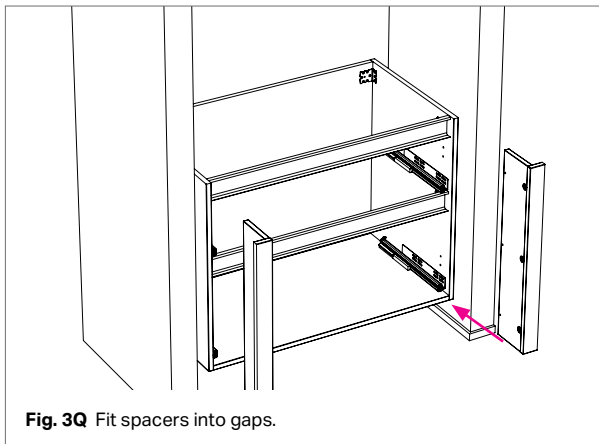


Fig. 3Q Fit spacers into gaps.

Fit spacers into gaps (Fig. 3Q)

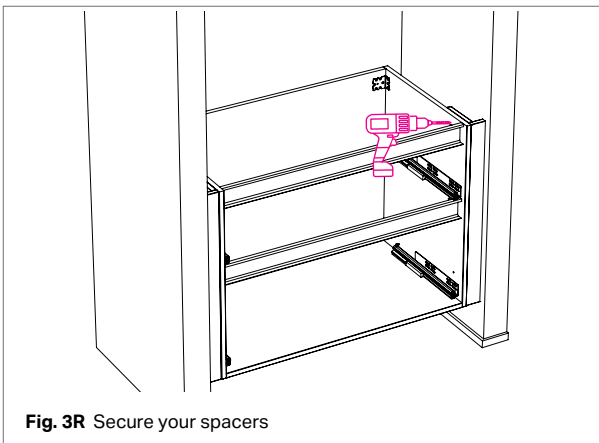


Fig. 3R Secure your spacers

Secure your spacers using pilot holes, drilled in **Step 3.3, page 6** and screws provided.

3.7 Trimming & Fitting Top

Appropriate safety gear should be worn when cutting tops

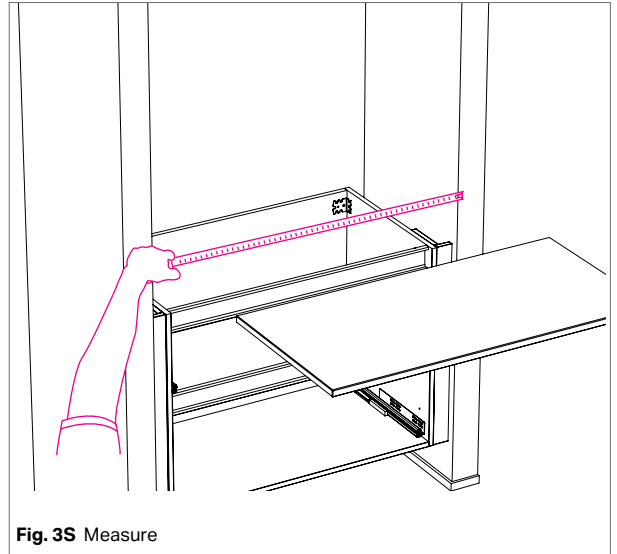


Fig. 3S Measure

Measure front & back lengths to determine measurements for the perfect fit.

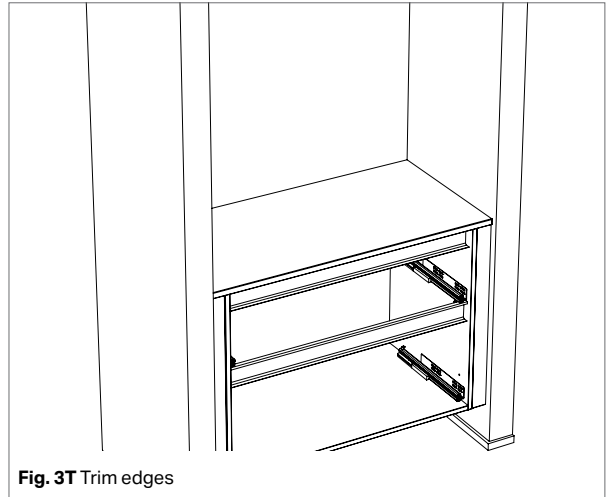


Fig. 3T Trim edges

Trim edges using either a circular saw with tungsten tip blade or electric planer suitable for HPL & Cherry Pie tops.

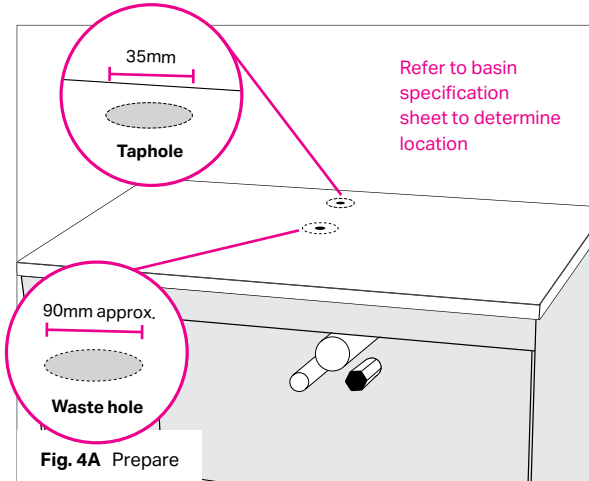
NOTE: we recommend masking necessary edges and surfaces to protect from chipping & scratching while using cutting tools.

4. INSTALLATION INSTRUCTIONS / Benchtop Taphole & Basin Hole Drilling

Only applies if you have a vanity with Cherry Pie® Solid Surface or HPL Tops.

Appropriate safety gear should be worn when cutting and drilling tops

4.1 Prepare



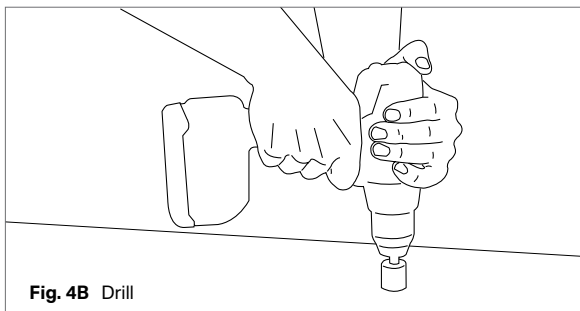
Decide on the location of your taphole & basin waste hole and measure out position. Drill a pilot hole through the counter top at your center point. This hole should be just slightly smaller than the size of the pilot bit of your hole saw.

Remove top before cutting with holesaw. Use a sharp Bi-Metal Holesaw to prevent damage to your top.

When cutting the required hole size:

- Standard taphole size = 35mm
- Standard waste hole for above counter vessel basins = approx. 90mm (this will allow for tolerances when fitting plumbing connections)

4.2 Drilling



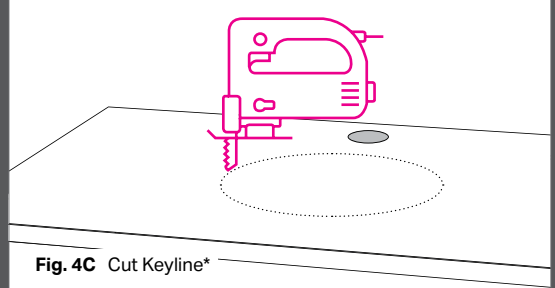
Firmly clamp top down before drilling (handle with care to ensure no damage occurs to the top during this process)

- Begin with the top side facing up
- Use the pilot hole as a guide
- Keep drill speed moderately low, apply enough pressure to keep the hole saw cutting at an even rate.
- Cut hole into surface approximately half way through
- Then flip top upside down & finish off cutting the holes from the underside to prevent chipping and breakthrough.

4.3 Cut Keyline*

***THIS STEP IS SPECIFIC TO HPL TOP WITH KEYLINE**

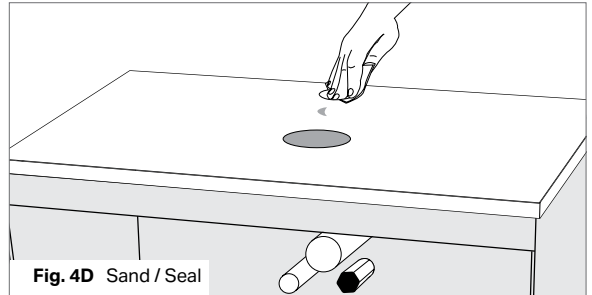
If a partially cut outline for a semi-insert basin is provided on your HPL top use a surface router or jigsaw to cut through the remaining board



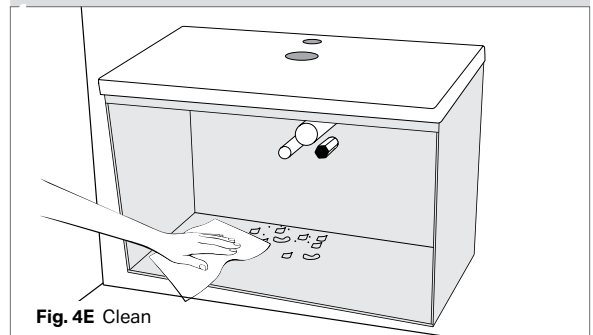
4.4 Sand / Seal

Cherry Pie® Sand the edges of the holes with 240 grit to remove any sharp edges. Note: avoid sanding the top surface as this may cause scratching.

HPL Top We recommend sealing raw edges with silicon.



4.5 Fix top



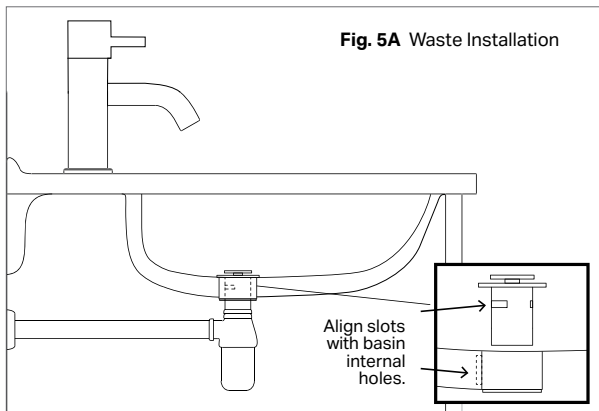
Fix top back into place using fixings if required & silicon to help water proof part lines. Refer to **Sections 5-6, (page 11-12)** for basin installation and water sealing instructions.

Clean away all building residue from the cabinet (**Fig. 4E**). Take care to dry any spillage or leakage of water on or inside the cabinet during installation.

NOTE: Ensure drawer runners are free of building residue as this may effect the operation.

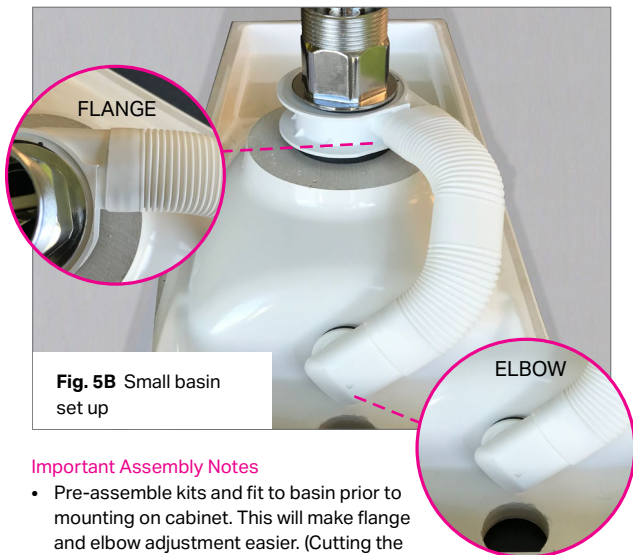
5. INSTALLATION INSTRUCTIONS / Basins

5.1 Waste Installation



When fitting waste to basin do not overtighten or the basin may be damaged. Use suitable overflow waste and align the slots with the internal holes in the basin. Ensure that no excess silicone or putty is obstructing the water flow.

5.2 Fitting Overflow

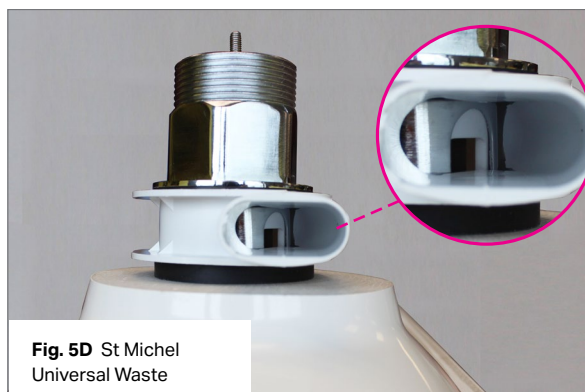


Important Assembly Notes

- Pre-assemble kits and fit to basin prior to mounting on cabinet. This will make flange and elbow adjustment easier. (Cutting the hose to size should not be required. Never cut on serrations) (Fig. 5B & 5C)
- When connecting hose to elbow and flange carefully align ends and insert fully.
- Rotate elbow and flange to eliminate low points where water can gather and avoid major kinks that stop water flow.
- Ensure hose does not obstruct basin placement on cabinet.



5.3 Universal Click Clack Waste



Aligning overflow kit flange with waste overflow holes is critical to prevent leaking. Use St Michel Universal Click Clack Waste kit designed for overflow alignment.

A St Michel Universal Click Clack waste is required when installing overflow kits. By not using this waste you risk voiding the warranty.

Available from all plumbing stores nationwide. For overflow replacement kits and parts call St Michel Customer Services on 09 837 4276 POA

NOTE: For basin use only – not suitable for bath tubs.

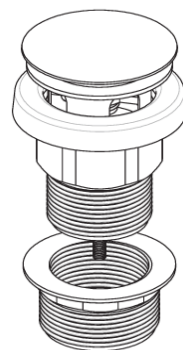


Fig. E mushroom Code 91503

5. INSTALLATION INSTRUCTIONS / Basins

5.4 Fixing tops & basins

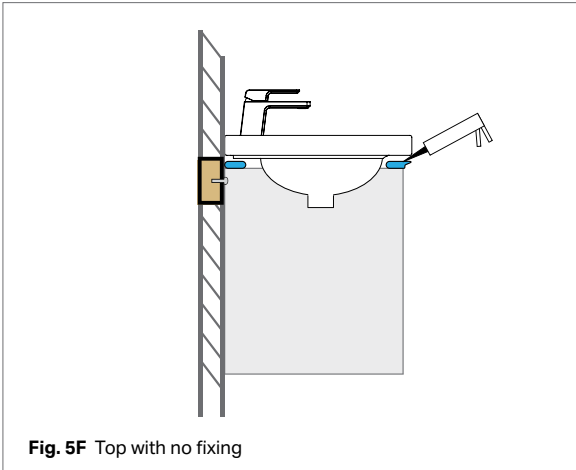


Fig. 5F Top with no fixing

Position the top so that it has an equal amount of overhang on each side and use a level to ensure the vanity top surface is level. Note: If the vanity is being installed in a corner, a packing strip is required and basin location will vary.

1. Apply Silicone Sealant (not included) to all four corners of the cabinet
2. Place the vanity top/basin onto the cabinet
3. If installing a basin with bolt fixings (**Fig. 5G**) - ensure basin is fixed into nogs with supplied fixings as well as using a silicone sealant to the top of the cabinet.

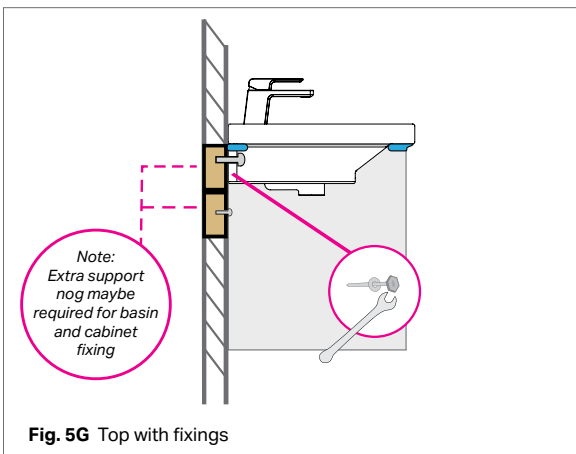


Fig. 5G Top with fixings

NOTE: Back panel is dropped 110mm to fit Dusk/Dawn basin (**Fig. 5H**)

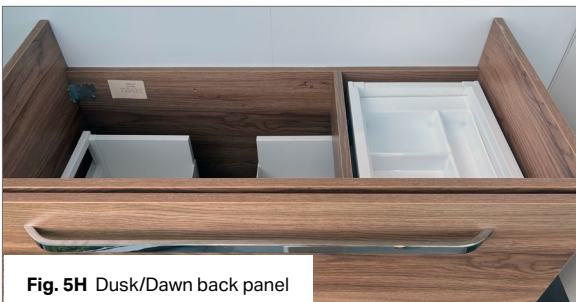


Fig. 5H Dusk/Dawn back panel

5.5 Fix Vessel Basins

NOTE

Future basin removal.
Basin replacement is an important factor to consider when fixing and sealing basins. By limiting silicon application as per instructions allows basin removal without damage to benchtops.

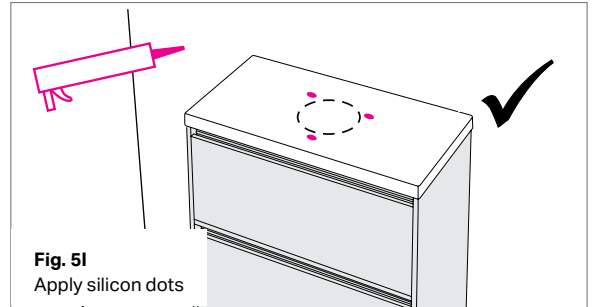


Fig. 5I
Apply silicon dots

20mm silicon dots to hold the basin in place, limit to 3 fixing points to enable future basin removal.

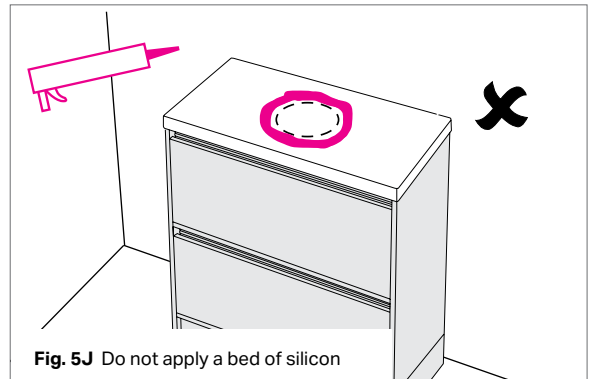


Fig. 5J Do not apply a bed of silicon

DO NOT apply a bed of silicon to fix basin to benchtop (**Fig. 5J**).

6. INSTALLATION INSTRUCTIONS / Sealing & Adjusting

6.1 Sealing

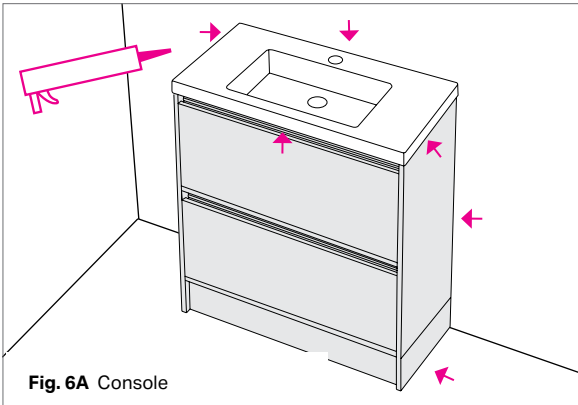


Fig. 6A Console

Apply silicone on the seam between the edge of the vanity top and the wall, smooth the bead, and allow to cure before use. Materials used for the construction of this unit are water resistant and not waterproof. A bead of sealant (specifically formulated for bathrooms) must be used to seal edges where water penetration can occur i.e. Between the basin and the cabinet and between the wall and the floor.

When sealing a vessel or semi inset basin it is important to put a bead of silicone around the edge where the basin meets the top. As well as where the top meets the wall.

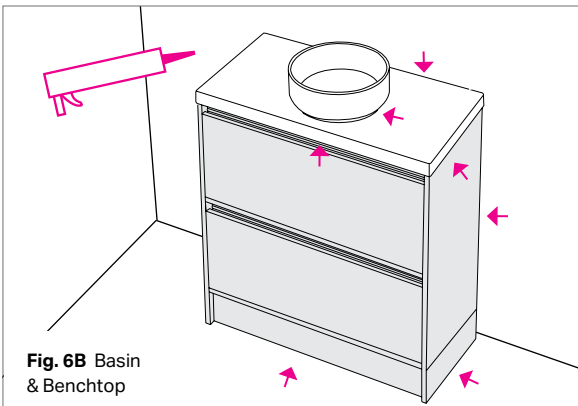


Fig. 6B Basin & Benchtop

6.2 Final fitting & adjustment

NOTE

The fitting & adjustment of door & drawers is the responsibility of THE INSTALLER

Please refer to **Sections 9 & 10 (page 16-18)** for adjustment instructions

Install drawers & doors back onto the cabinet
- refer to adjustment **Sections 9 & 10 (page 16-18)** for door & drawer adjustments

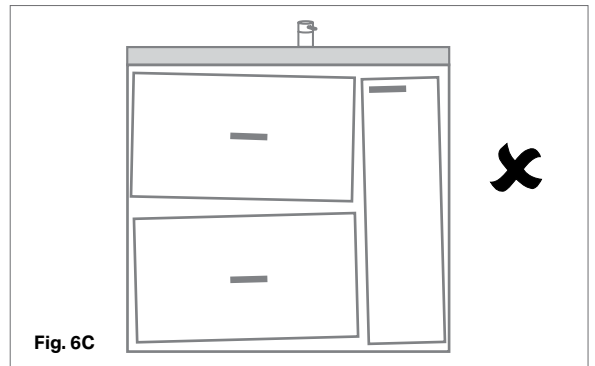


Fig. 6C

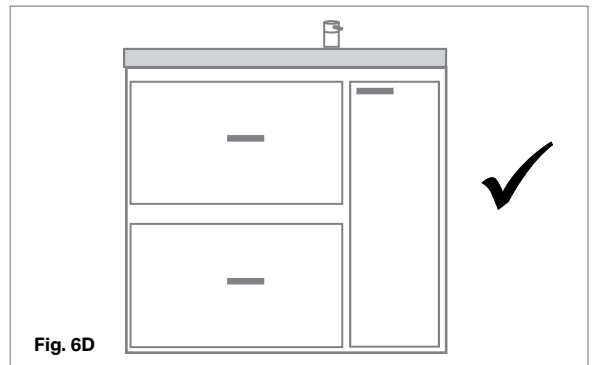
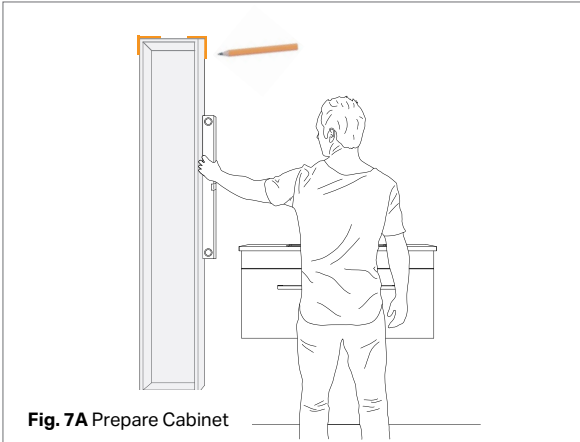


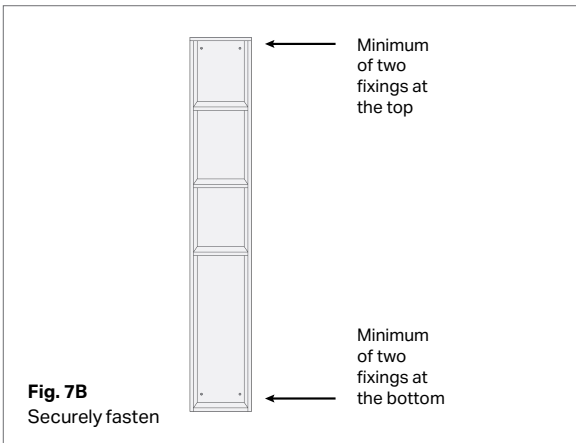
Fig. 6D

NOTE: Ensure doors & drawers are replaced back in the same position.

7.1 Storage Installation



- Remove all doors & drawers.
- Mark the position of the top of the cabinet (**Fig. 7A**).
- Position unit and check that it is sitting level (**Fig. 7A**).

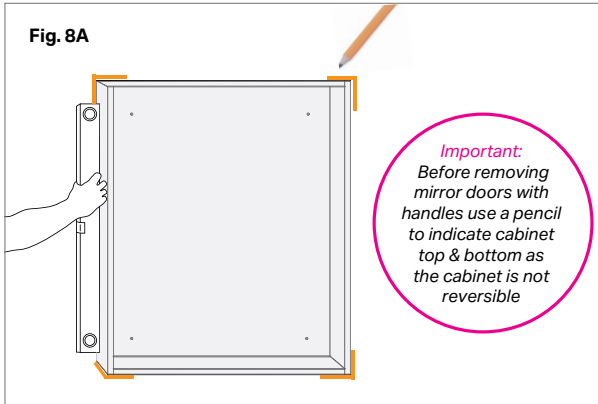


- Securely fasten cabinet to the wall through the back (**Fig. 7B**). Align cabinet with nogs or studs. We recommend using a minimum of two fixings at the top and two fixings at the bottom of the cabinet. Cover holes with supplied cover caps.

8. INSTALLATION INSTRUCTIONS / Mirror Cabinets

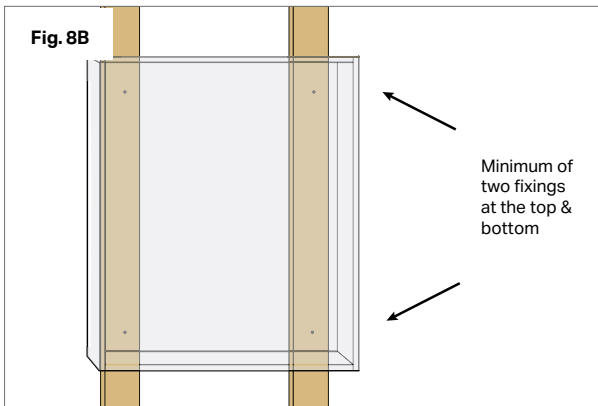
8.1 Mirror Cabinet Installation

Fig. 8A



- Place cabinet on a flat surface to remove all doors. Keep mirror doors in a safe area where they will not get damaged.
- Position cabinet on the wall at the desired height, ensure cabinet is level and mark the four corners on the wall. (Note: doors may overhang the top and/or bottom and/or sides of the cabinet - consider this when positioning its height / width)

Fig. 8B

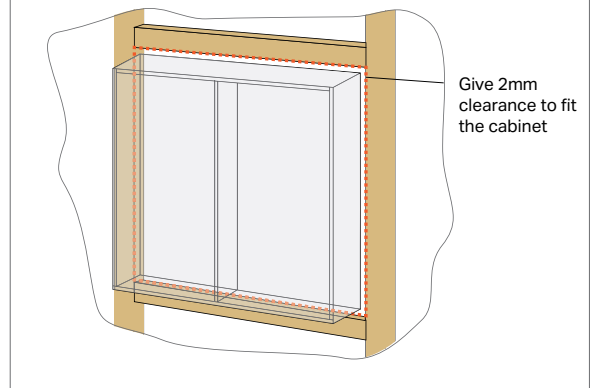


- Securely fasten cabinet to the wall through the back, ensure the fixings (screws supplied) will be into studs on each side of the cabinet as close to the top and bottom corners as possible. If this is not possible then use the rawl plugs supplied.

8.2 Recessing your mirror cabinet

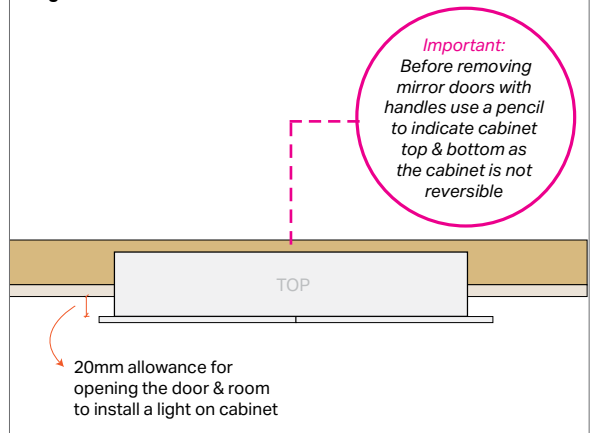
- Place cabinet on a flat surface to remove all doors
- Position cabinet on the wall at the desired height, ensure cabinet is level and mark the four corners on the wall. (Note: doors may overhang the top and/or bottom of the cabinet - consider this when positioning its height)
- Cut a hole 4mm bigger than the cabinet carcass (**Fig. 8C**)
- Make sure the hole has sufficient noggings to fix top and bottom (note side fixing may not be achievable due to internal division)

Fig. 8C



- You need to make sure the cabinet protrudes by 20mm to allow for finger pull on the door (**Fig. 8D**)
- Note: If a light is installed make sure you have enough room for fixing on top of cabinet and clearance with the door
- Seal or architrave the edges to finish

Fig. 8D



8.3 Adjustment

NOTE

The fitting & adjustment of the doors is the responsibility of THE INSTALLER

Please refer to **Section 9 (page 16)** for adjustment instructions

- If the mirror cabinet has been supplied with shelves. Place them back into the cabinet, ensure the shelves are fitted into the shelf supports correctly.
- Install doors back into position and adjust - refer to **Section 9 (page 16)** for door hinge adjustment.
- Note: If you are installing a light with your mirror make sure you consult with your electrician first.

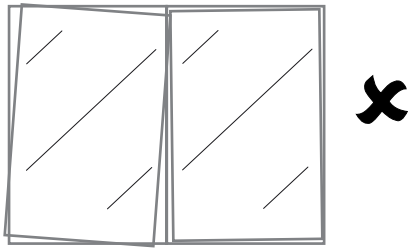


Fig. 8E

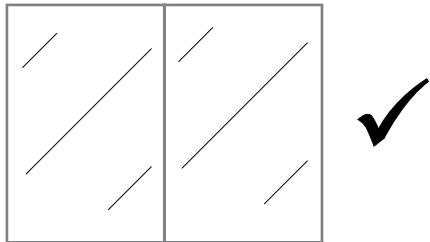


Fig. 8F

9. DOOR INSTALLATION & ALIGNMENT



Fig. 9A Softclose hinge

9.1 Removing & installing doors

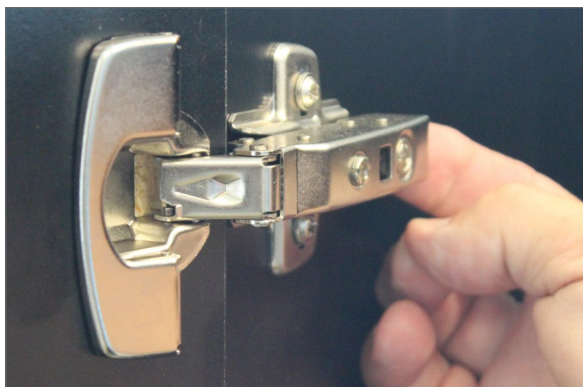


Fig. 9B Unclip hinge

- 1 Support the weight of the door
- 2 To remove door start with top hinge and work your way down.
- 3 To unclip hinge apply light pressure to the clip at the back of the hinge and pull forward (Fig. 9B)
- 4 To install doors align the hinge mount and press back of hinge into place and listen for click

9.2 Hinge Adjustment



Fig. 9C Side adjustment

To move doors sideways or to level each door - turn screw **A** Clockwise or Anti Clockwise. (Fig. 9C)

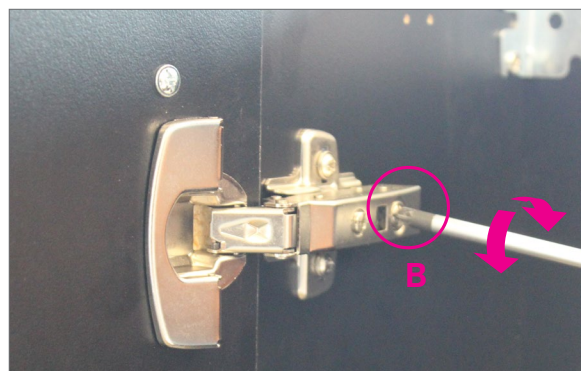


Fig. 9D Depth adjustment

To move the door inward or outward from the carcass - turn screw **B** Clockwise or Anti Clockwise (Fig. 9D)

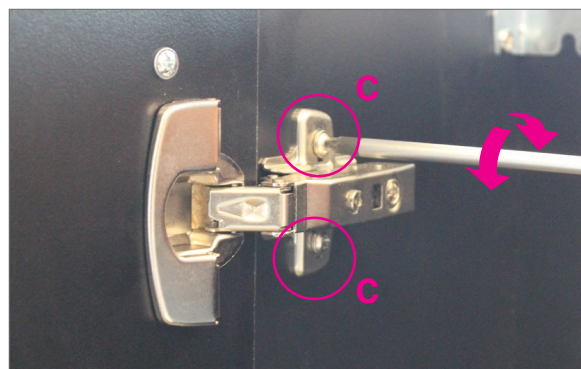


Fig. 9E Height adjustment

Loosen the top and bottom screw **C** on each mount plate, adjust door height by moving door up or down, then retighten **C** screws (Fig. 9E)

10. DRAWER INSTALLATION & ALIGNMENT / A-TYPE DRAWER

See video instructions at www.stmichel.co.nz

10.1 A Type Drawer



Fig. 10A
A Type Drawer

NOTE: A-type drawer could have a round or square gallery rail

If the drawer system instructions are not displayed in this booklet please refer to stmichel.co.nz or give us a call on 09 837 4276

10.2 Removing Drawer (A-Type)

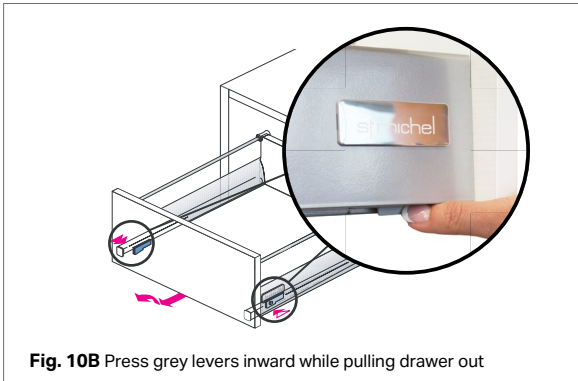


Fig. 10B Press grey levers inward while pulling drawer out

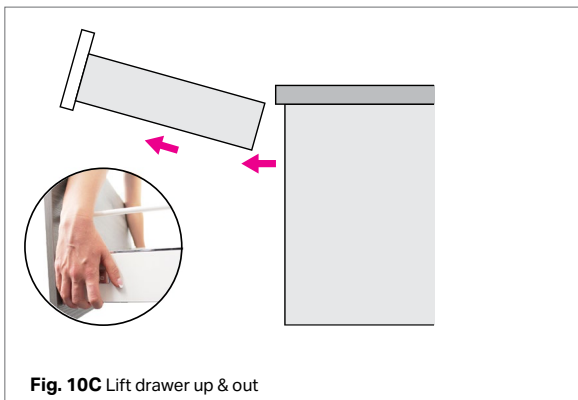


Fig. 10C Lift drawer up & out

10.3 Inserting Drawer (A-Type)

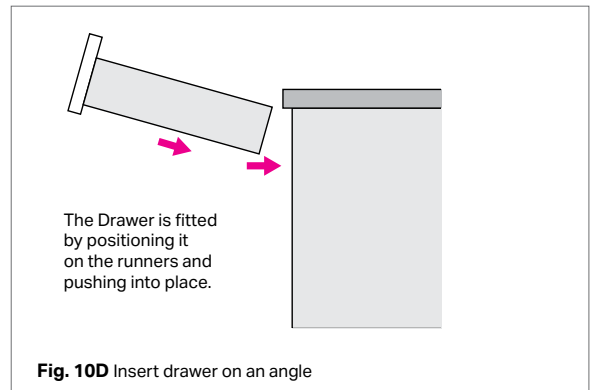


Fig. 10D Insert drawer on an angle

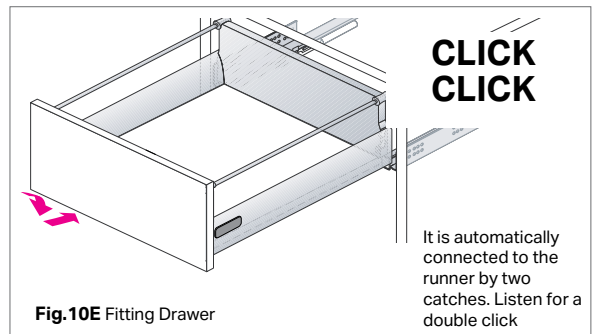


Fig.10E Fitting Drawer

10.4 Adjustment (A-Type)

Adjust drawer front as required

WARNING: Avoid pushing the blue button - this will cause the drawer front panel to detach

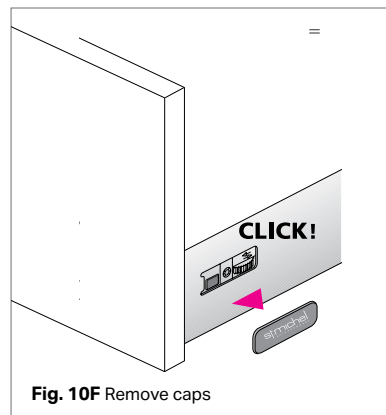


Fig. 10F Remove caps

Remove caps for adjustment & replace when you have finished (**Fig. 10F**)

10. DRAWER INSTALLATION & ALIGNMENT / A-TYPE DRAWER

10.5 Push to open adjustment

Additional adjustment to A-type drawer with Push-to-open

The Push-to-open drawer requires an activating gap to operate correctly.

Adjust this as required.

See Fig. 10K & 10L.

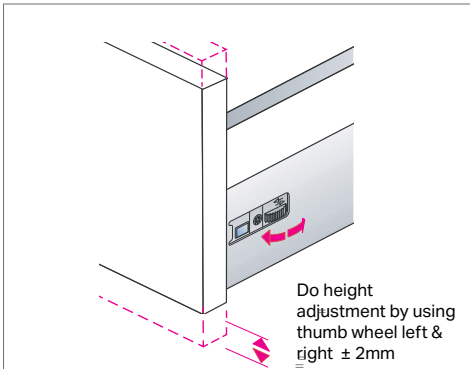


Fig. 10G Drawer front height adjustment

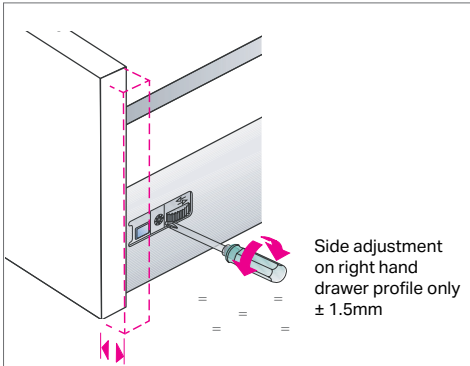


Fig. 10H Drawer front side adjustment

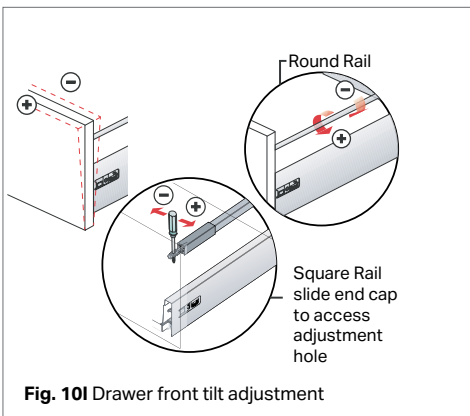


Fig. 10I Drawer front tilt adjustment

Use screw supplied (taped under drawer) to permanently fix adjustment in place. This will close any gap at the front of drawer

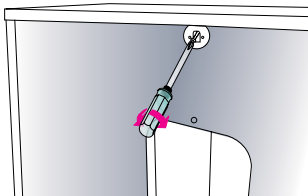


Fig. 10J Permanently set adjustment

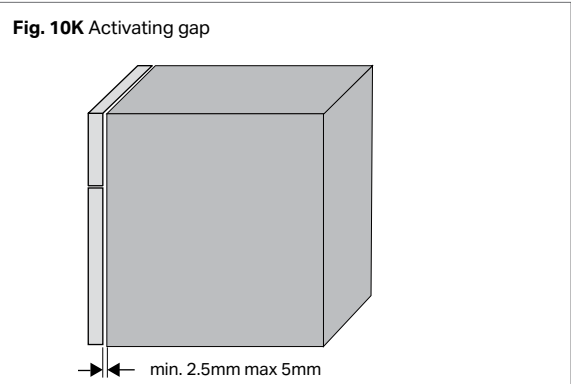


Fig. 10K Activating gap

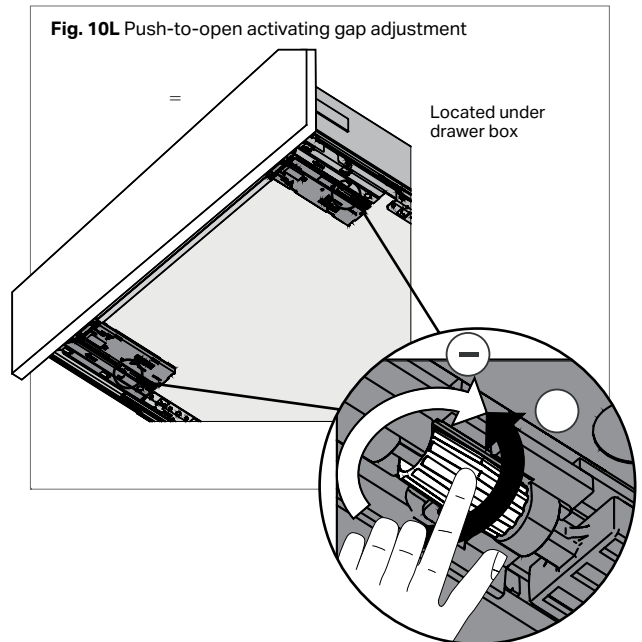


Fig. 10L Push-to-open activating gap adjustment

11. CARE & MAINTENANCE GUIDE

11.1 Care & Maintenance Guide

St Michel products are produced from materials that are well suited to the bathroom. It is, however important that your bathroom is adequately ventilated to eliminate moisture build up. High humidity will lead to permanent dampness and mould resulting in a deterioration of the materials in your bathroom. If you cannot identify basin or cabinet material used on your product, please contact your merchant or see the product information at www.stmichel.co.nz.

For more detailed material information & specifications see www.stmichel.co.nz



11.2 Vanity tops / Wash basins

Mineral Cast, Ceramic, Cherry Pie®, Matte Cherry Pie® & HPL

St Michel vanity tops and wash basins are manufactured from the finest materials and when treated with care will last for many years. Do not subject the wash basin or vanity top to water at a temperature above 55°C. Never use aggressive cleaning agents which contain strong solvents such as acid, chlorine, ammonia, drain cleaner, caustic soda, isopropyl alcohol or abrasive agents. Carefully read the cleaner product label to ensure the cleaner is safe for use on the material. Lime scale marks may be reduced by regular cleaning of the washbasin. Keep high heat away from the vanity top or wash basin and avoid metal or other sharp objects which could scratch and damage the surface.

*Handy Tip – Stubborn lime scale marks can normally be removed using a solution of Restorex purchased directly from restorex.co.nz, or Bar Keeper's Friend. These cleaning products are for occasional use only.

To clean your vanity top simply wipe with a damp cloth after each use. For regular cleaning, we recommend using a soft cloth, wrung in hot water with a mild all-purpose cleaning agent. Then wipe clean with a damp cloth wrung in clean water to remove the cleaning agent and to avoid stains and stripes. For more help in removing stubborn stains and scratches refer to our product videos at www.stmichel.co.nz

Ceramic Tops - Due to Ceramic being hand-crafted and individually customised, and because china is fired at high temperatures, some visual distortion may be evident – but we feel that this adds to the natural beauty of the product

Cherry Pie® Bench-top Surfaces, Cherry Pie Matte Basins & Matte Top Solid Basins

For routine care & cleaning. Cherry pie® does not require any specialist cleaning regimes, most dirt and light residue will easily wipe off with a damp cloth and soapy water. The bench top should be rinsed with clean water and wiped dry. Acrylic surfaces such as Cherry Pie® are designed to develop an aged patina created by minor scratching. Regular cleaning or an abrasive cleaner will remove any light scuff marks and assist in developing an aged patina.

Heat - Cherry Pie® unlike marble will withstand high temperatures however sudden heat or prolonged direct heat will cause damage. To prevent damage do not place heat generating devices directly onto bench top or set close to bench top for extended periods.

Staining - Cherry Pie®, unlike marble and granite, is non porous and will resist most household chemicals such as cosmetics, however, some chemicals and strong dyes can cause damage and discolouration. If spillage occurs, wipe up immediately and rinse area thoroughly.

Minor Scratching Cherry Pie® - Take care with sharp household utensils and ceramic accessories (particularly unglazed bases, avoid sliding) These can sometimes cause scratches that will be more evident on darker Cherry Pie® bench tops. More serious scratches can be removed by a professional using an orbital sander and then re-polishing to restore.

Matte basins - minor scratches and difficult stubborn stains including hair dye can be buffed out with a Scotchbrite® pad in a circular motion. Wipe off residue with a damp cloth.

11. CARE & MAINTENANCE GUIDE



11.3 Cabinetry, handles and accessories

St Michel cabinets are manufactured from high quality, locally sourced materials.

These materials are water resistant and not water proof. To ensure the long life of the cabinet, water must not be allowed to remain on the cabinet surfaces. All water spillages, leaks or flooding in or around the cabinet must be sponged off and dried immediately. Keep heat away from the cabinetry and avoid metal or other sharp objects which could scratch and damage the surface. Do not use abrasive cleaning agents which contain ammonia, bleach or other strong solvents. We also advise against the use of furniture polish, acetone, ethanol, benzene and coarse cleaning sponges. Carefully read the cleaner product label to ensure the cleaner is safe for use on the material.

For regular cleaning, we recommend cleaning with a soft cloth, wrung in hot water with a mild all-purpose cleaning agent. Cabinetry with structured surfaces is best cleaned along the structure to remove any dirt. Wipe clean with a damp cloth wrung in clean water to remove the cleaning agent and to avoid stains and stripes. For more help in removing stubborn stains refer to our product videos at www.stmichel.co.nz



11.4 Mirrors

Do not use ammonia-based cleaning products such as glass cleaner - These may erode the mirrors silver backing. Be sure to read the label of any such cleaning products before use. Always spray cleaning products onto a cleaning cloth not directly onto the mirror.

For best results use a slightly moistened microfibre cloth to remove dry dirt or grime, then buff clean with dry microfibre cloth or use a soft dry cloth with a tight weave (soft and nonabrasive) This will leave you with a clean, smear free finish. By using alkaline (ammonia) or acid (vinegar) based products you risk damaging the silvered backing of the mirror causing 'black edge'.

Protection against 'black-spotting'. Alkaline, acid and moisture elements can cause the silvered backing of a mirror to darken, this is usually referred to as 'black-spotting'. The best way to protect your mirror against black spotting is to keep your mirror dry. After use wipe off any water, moisture or steam. If moisture is allowed to collect on the edges 'black edge' will result over time.

12. TROUBLE SHOOTING

Problem	Likely Cause	Solution
I have noticed damage on my product. Should I install it?		No - advise the contact you purchased the product from before proceeding with the installation
I can't find basin/cabinet dimensions & specifications for my vanity		Find all our specifications at www.stmichel.co.nz or call us on 09 837 4276
My basin has limescale marks. How do I get rid of them?	Local water supply and/or basin has not been regularly cleaned	We recommend regular cleaning to avoid limescale build up. You can use a solution of vinegar and water or for occasional cleaning to remove stubborn limescale Restorex or Bar Keeper's Friend.
How do I go about processing a service request?		Refer to warranty information - section 7
I need some spare parts for my product. How do I get them?		Either call your retailer or give us a call on 09 837 4276 with your spare part requirements
My softclose drawer is not closing properly	Incorrect installation or an obstruction is preventing the drawer from closing	Check that there is nothing obstructing the drawer such as plumbing or a tap hose Check that the drawer box has been installed correctly - section 4 Check that the cabinet is installed correctly i.e. level & wall is plumb - see section 2 and consult your installer
My St Michel Universal Waste is not draining well. What do I do?	Debris build up i.e. soap scum, hair etc.	Pull out the easy clean plug. Remove debris and if required use a drain cleaning product. Run fresh water and replace plug by pushing and turning to engage lock position.
I'm not sure what I should clean my basin and cabinet with.		Mild detergent and warm water as per section 5 of this guide. Cherry Pie <u>Matte</u> basins stubborn stains can be removed with a Scotchbrite pad
My basin is pooling water	Basin not level or limescale/calcium build up around waste	Remove calcium build up and check that your basin is level left to right, front to back - see section 2

13. WARRANTY

Unless otherwise stated warranties for St Michel products are as follows:

TABLE: St Michel Warranties

Category	Sub Category	Residential Warranty*	Commercial Warranty*	St Michel Outlet Store or ex-display
Tops & Basins	Ceramic Basins	5 Years	1 Year	1 Year
	Mineral Cast Basins	5 Years	1 Year	1 Year
	Matte Cherry Pie [®] Basins	10 Years	1 Year	1 Year
	Cherry Pie [®] Tops	10 Years	1 Year	1 Year
	HPL Tops	5 Years	1 Year	1 Year
Furniture	Vanity & Storage Units	5 Years	1 Year	1 Year
	Mirror Cabinets	2 Years	1 Year	1 Year
Mirrors, Lights & Accessories	Mirror Only	2 Years	1 Year	1 Year
	LED Mirrors	2 Years	1 Year	1 Year
	Bathroom Lights	2 Years	1 Year	1 Year
	Traps & Wastes	1 Year	6 Months	6 Months
	Accessories	1 Year	6 Months	6 Months
Tapware	Tapware Cartridges	15 Years	1 Year	1 Year
	Tapware & Accessories	7 Years (Chrome)	1 Year	1 Year
		5 Years (PVD)		
		2 Years (Electroplated)		
Parts & Labour	2 Years	1 Year	1 Year	

* *Residential Warranty* applies to any St Michel products being utilised in a normal domestic capacity

* *Commercial Warranty* applies to any St Michel products installed in a commercial situation. Commercial situations are defined as public washrooms, public buildings, schools, sports centres, gymnasiums, hospitals, motels, hotels and retirement villages

13. WARRANTY

13.1 What is covered

Subject to conditions of use. We warrant our products to be free of substantial defects in materials and workmanship for the warranty period above, from the original date of purchase. This is in addition to the conditions and guarantees of the Consumer Guarantees Act (1993)

In the event of a substantial defect in materials or workmanship, we will, at our sole discretion, repair or replace the defective product or provide a refund up to the original purchase price of the product.

13.2 What is not covered by this warranty

1. Defects resulting from use other than normal residential use, or resulting from the product not being used or cared for in accordance with the Care & Maintenance - section 5
2. Defects that have been caused by accident, abuse, neglect or misuse including (but not limited to) any form of damage including water damage, basin defects caused by water temperature in excess of 55°C. Defects resulting from humidity or other environmental conditions or any Act of God
3. Defects caused by improper installation. The relevant St Michel installation instructions must have been strictly followed, and the product installed in accordance with the relevant building and plumbing codes and in a good tradesman like manner. We recommend that the product is installed by a Licensed Building Practitioner or Registered Plumber. Electrical installation must be carried out by a registered electrician.
4. Claims by the customer, or anyone claiming through the customer, for labour, material, or any other costs incurred in removed defective goods and refitting any replacement.
5. Noise or vibration that is normal for that particular product, e.g. drawer runner or hinge opening and closing sounds
6. Damage caused by overloaded drawers or shelves

Please be aware that in keeping with our policy of continuous improvement, St Michel reserves the right to change the specification in design and materials without notice and with no obligation to refit products or components as previously manufactured.

13.3 How to make a claim

If you wish to make a claim against your warranty, please do so by completing the online Warranty Service Request form by visiting our website www.stmichel.co.nz/resources/warranty-care

Once we receive your claim we will review it and may contact you for further information. Once we have assessed the claim and determined that it is the result of a defect covered by the warranty, we will arrange for the repair, replacement or refund that we determine to be the best solution.

Please also be aware that if once we visit the site to investigate or repair the product and find that it is not in fact a defect or product fault and therefore not covered by this warranty, that we may charge for the time and travel incurred

INSTALLERS MAY BE LIABLE

Installers need to know that under the Consumer Guarantees Act (CGA) they are responsible for any product they supply AND/OR install.

If a Homeowner supplies a product which you believe is not up to the job, **you must say so.**

If a product or service, provided by you, fails any CGA guarantees, the Consumer can ask for the job to be fixed at no extra cost. If the repair takes more than a reasonable time to fix, the Consumer can arrange the repair and claim the cost from you, or cancel the job and refuse to pay for the work done.

ALSO if the work has caused other loss or damage, you may also be liable for consequential loss.

Always buy a recognised brand from a recognised merchant. WWW.PDANZ.ORG.NZ

Product no.

Product Name:

Date purchased:

Purchased from:



2 Enterprise Drive, Henderson, Auckland 0612 | PO Box 21 122, Henderson, Auckland 0650
phone (09) 837 4276 email info@stmichel.co.nz stmichel.co.nz