

# Flo 22 Benchtop 400 Wall 1 Door

exclusive to  
**plumbingworld**

## CABINET SPECIFICATION



### Product Features

Product Code	9805BT
Product Description	Flo 22 Benchtop - 400 Wall
Cabinet Material*	Durashell®
Drawer Configuration	1 Door
Notes	Drawing depicts cabinet only

\*Both the cabinet front and sides are made of Durashell®, except for Baroque Woodgrain and Classic White Satin, which feature Durashell® fronts and matching Melamine sides (with Aqua Edge®).

### Cabinet Finishes Available

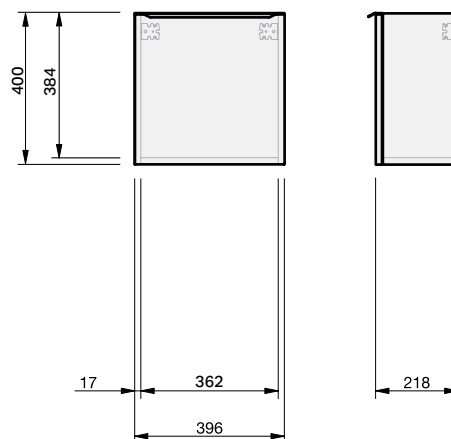
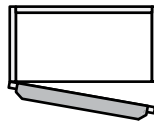


- Flo F2 Finish** 1. Classic White Satin,  
**Flo F3 Finish** 2. Black Satin, 3. Lana Grey Satin, 4. Slate Matte,  
 5. Pistachio Matte, 6. Villa Blue Matte, 7. Baroque Woodgrain

### Handle Colours Available



- Soul Handle** 1. Matte Black, 2. Brushed Brass, 3. Brushed Nickel, 4. Gunmetal,  
 5. Chrome, 6. Matte White, 7. Brushed Copper.



**IMPORTANT NOTE:** Throughout this guide, dimensions may vary by  $\pm 2$ mm. Please read the installation manual for detailed information on installing the product. St. Michel pursues a policy of continuing improvement in design and manufacturing of its products. The right is therefore reserved to vary specifications without notice.

**st.michel**  
BATHROOMWARE

phone (09) 837 4276 email [info@stmichel.co.nz](mailto:info@stmichel.co.nz) [stmichel.co.nz](http://stmichel.co.nz)

# Flo 22 Benchtop

## TOP SPECIFICATION

### Top Thickness (mm) <sup>Ⓕ</sup>

Cabinet	Cherry Pie	HPL				
Flo 22 Benchtop	20.5	17.5				

### Product Dimensions (mm)

	Ⓐ	Ⓑ	Ⓒ	Ⓓ	Ⓔ
Flo 22 Benchtop - 400	400	224	-	-	-
Flo 22 Benchtop - 550	550	224	-	-	-
Flo 22 Benchtop - 800	800	224	-	-	-

- The top must be sealed to the vanity unit with an acetic cured silicone sealant. Epoxy type sealants must not be used
- Tops can be drilled on site with a standard hole saw

### Benchtop Finishes Available



#### HPL Woodgrain (BT1)

1. Baroque, 2. Hamptons Elm, 3. Sovereign Oak, 4. Premium Oak - all with Aqua Edge®

#### HPL Soft-Matte (BT2)

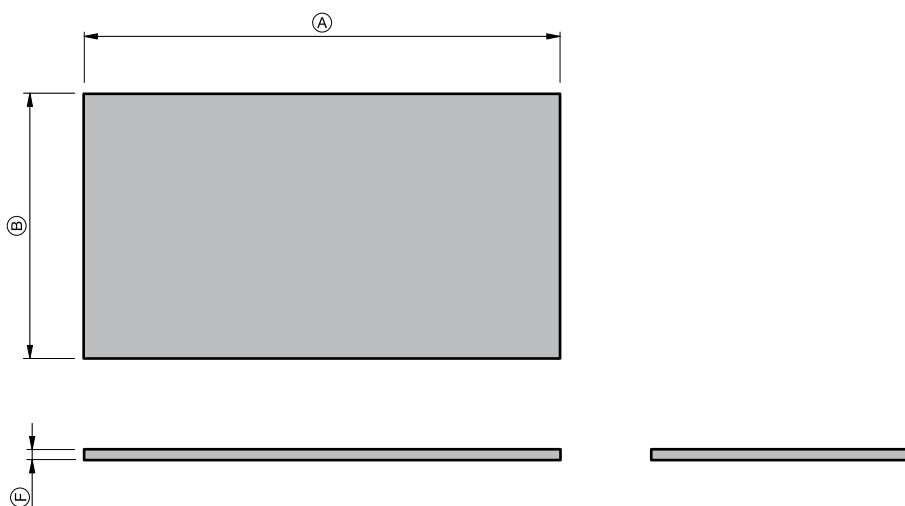
5. Black Soft-Matte, 6. Devious Soft-Matte, 7. Foxy Soft-Matte, 8. Minx Soft-Matte, 9. Wicked Soft-Matte - all with Aqua Edge®

#### HPL Smooth (BT2)

10. White Concrete Smooth - with Aqua Edge®

#### Cherry Pie® Solid Surface (BT3)

11. Bright White, 12. Sugar Cream, 13. Carrara, 14. Calacatta 15. Alabaster, 16. Grey Travertine.



**IMPORTANT NOTE:** Throughout this guide, dimensions may vary by  $\pm 2$ mm. Please read the installation manual for detailed information on installing the product. St. Michel pursues a policy of continuing improvement in design and manufacturing of its products. The right is therefore reserved to vary specifications without notice.

**st.michel**  
BATHROOMWARE

phone (09) 837 4276 email [info@stmichel.co.nz](mailto:info@stmichel.co.nz) [stmichel.co.nz](http://stmichel.co.nz)

## BASIN SPECIFICATION



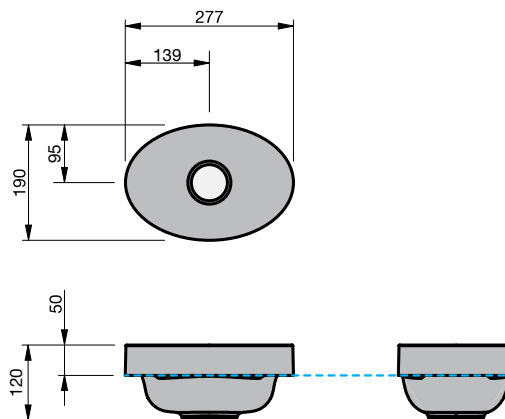
### Product Features

Product Code	Gloss White Mineral Cast / 2101 Matte White Solid Surface / 2100
Type of basin	Inset
Material of basin	Mineral Cast Solid Surface
Capacity of basin	2.5 litre
Overflow Configuration	No overflow

### Notes:

- This basin is reversible.
- The basin must be sealed to the top with an acetic cured silicone sealant.
- Epoxy type sealants must not be used.

INDICATES TOP SURFACE -----



**IMPORTANT NOTE:** Throughout this guide, dimensions may vary by  $\pm 2$ mm. Please read the installation manual for detailed information on installing the product. St. Michel pursues a policy of continuing improvement in design and manufacturing of its products. The right is therefore reserved to vary specifications without notice.