

# Galassia Basin Click-Clack Waste

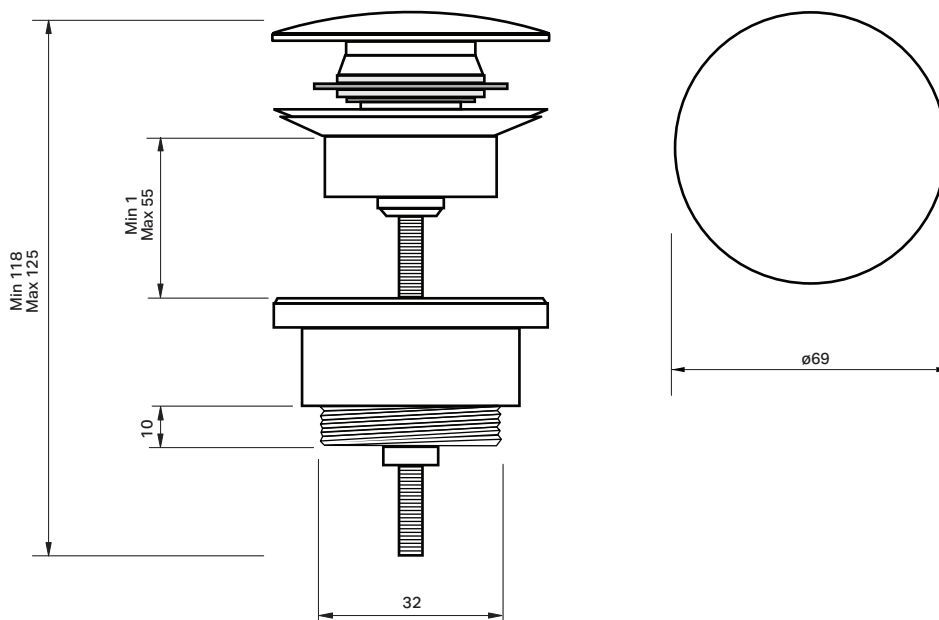
## WASTE SPECIFICATION



### Product Features

Colour Options & Product Codes	Gloss White / 91515 Dusky Matte Black / 91516
Waste Type	Push type waste
Material of Waste	Brass other
Designed to Fit	Non-overflow basins
Connection Size	32mm
W x D x H (mm)	60 x 60 x 70
Net Weight (kg)	0.28
Top	Ceramic
Notes:	Continuous water flow accessory included if continuous drainage setup is required. Can be converted after installation by homeowner.

- Suitable for Galassia basins only.



**IMPORTANT NOTE:** Please read the installation manual for detailed information on installing the product. St. Michel pursues a policy of continuing improvement in design and manufacturing of its products. The right is therefore reserved to vary specifications without notice.

phone (09) 837 4276 email [info@stmichel.co.nz](mailto:info@stmichel.co.nz) [stmichel.co.nz](http://stmichel.co.nz)

st.michel  
BATHROOMWARE