

Eli 400

BASIN SPECIFICATION

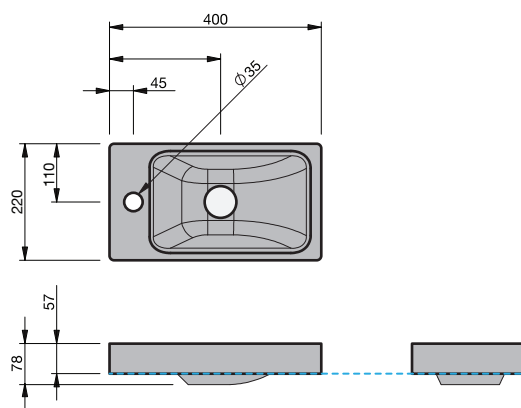


Product Features

Product Code	Gloss White / 18701 Matte White / 18801
Type of basin	Console
Material of basin	Ceramic
Standard Tap Size	35mm
Standard Waste Size	32mm
Capacity of basin	2.0 litre
Overflow Configuration	No overflow
Colour options	White Gloss Matte White

- The basin must be sealed to the top with an acetic cured silicone sealant.
- Epoxy type sealants must not be used.

INDICATES FURNITURE TOP SURFACE -----



IMPORTANT NOTE: Throughout this guide, dimensions may vary by ± 5 mm. Please read the installation manual for detailed information on installing the product. St. Michel pursues a policy of continuing improvement in design and manufacturing of its products. The right is therefore reserved to vary specifications without notice.

st.michel
BATHROOMWARE

phone (09) 837 4276 email info@stmichel.co.nz stmichel.co.nz