

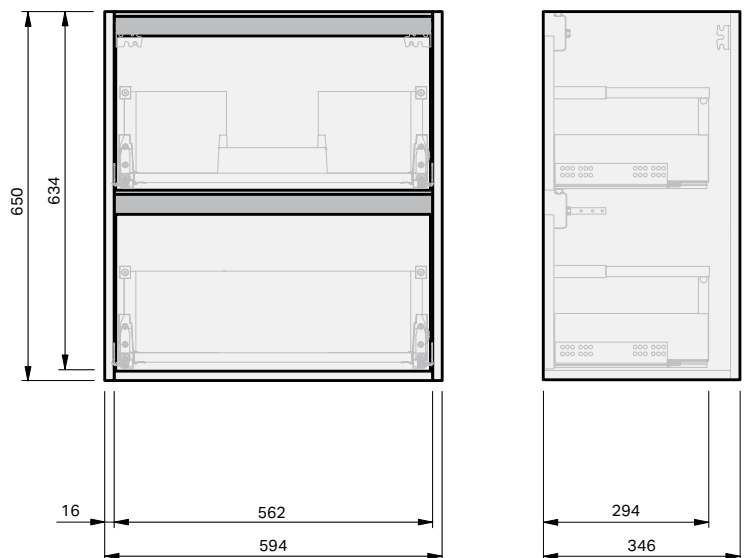
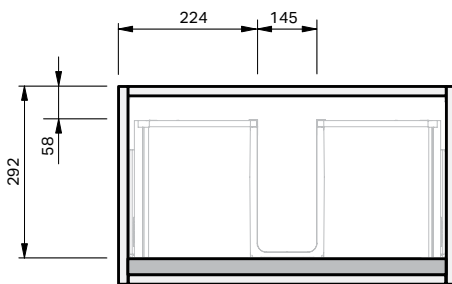
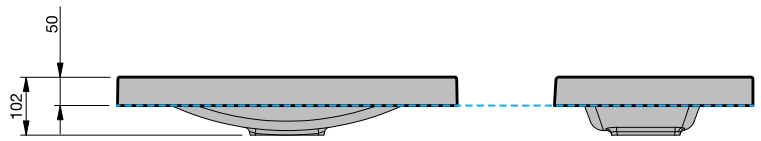
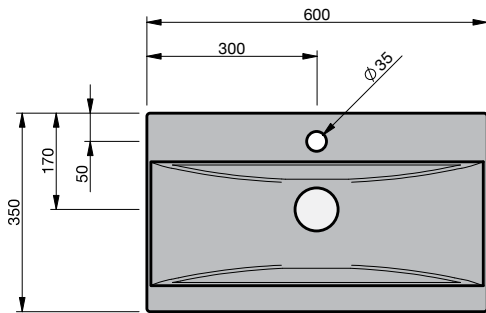
Haven 35 Console 600 Wall 2 Drawer

CABINET SPECIFICATION



Product Features	
Product Code	Haven 35 Console / 4485
Product Description	Haven 35 - 600 - Wall
Drawer Configuration	2 Drawer
Basin	Selina 600 (Mineral Cast)
Notes:	Drawings depict cabinet only. Plumbing clearance behind Haven 35 drawer: 41mm.

INDICATES FURNITURE TOP SURFACE -----



IMPORTANT NOTE: Throughout this guide, dimensions may vary by ± 2 mm. Please read the installation manual for detailed information on installing the product. St. Michel pursues a policy of continuing improvement in design and manufacturing of its products. The right is therefore reserved to vary specifications without notice.

st.michel
BATHROOMWARE

phone (09) 837 4276 email info@stmichel.co.nz stmichel.co.nz